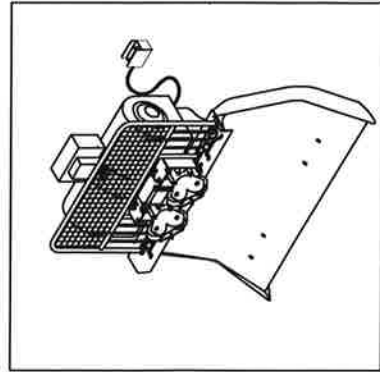




**IGLAND 9002 Maxo
TL / TLP**

Parts Catalogue



IGLAND 9002 Maxo TL, TLP and 9002 Maxo Top, Parts Catalogue

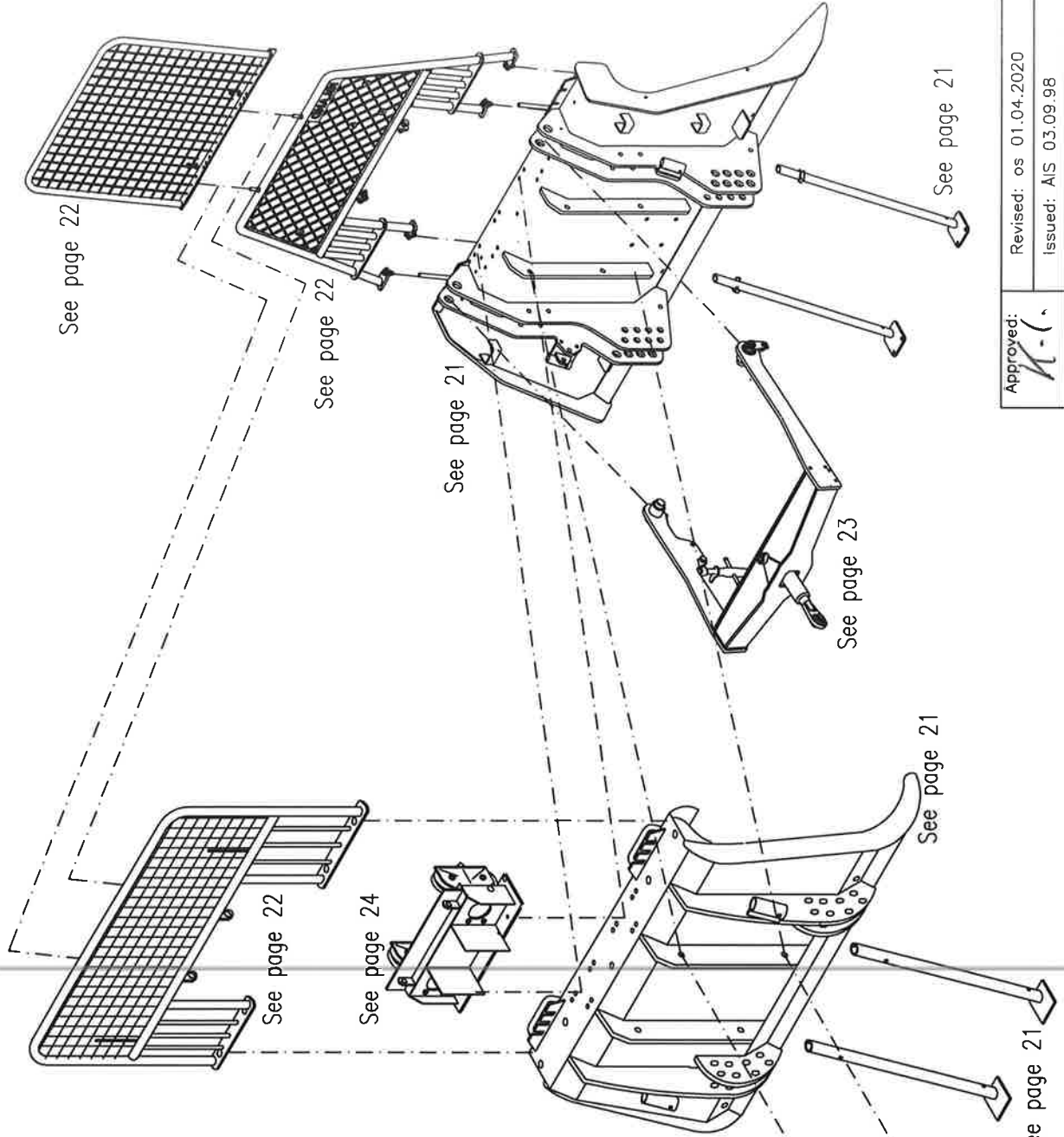
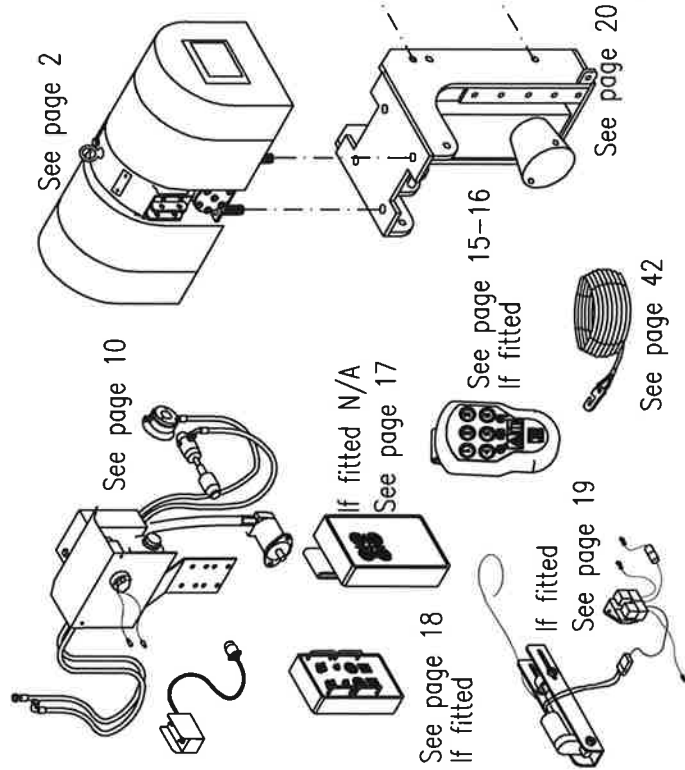
Serial No.: 9002201 →



GENERAL INFO:

This Parts Catalogue consists of 41 numbered pages.
 This Catalogue: P/N 390356
 N/A: Not Available
 © IGLAND AS

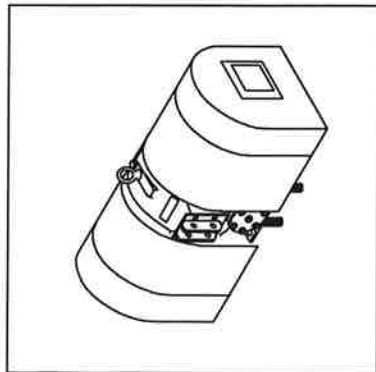
- Gjengivelse av tekst og tegninger uten tillatelse forbudt.
- Reproduction of text or illustrations without permission is prohibited.
- Eine Wiedergabe von Texten und Zeichnungen ohne unsere Genehmigung ist nicht gestattet.
- Interdiction de toute reproduction de textes ou d'illustrations sans autorisation préalable.



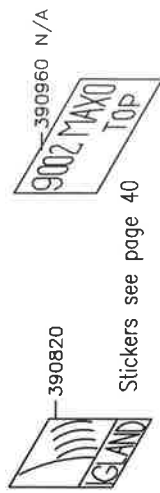
Approved:

Revised: os 01.04.2020
 Issued: AIS 03.09.98

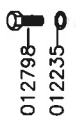
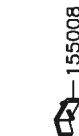
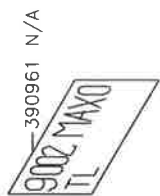
IGLAND 9002 Maxo TL, TLP IGLAND 9002 Maxo Top



”HEAD”



Stickers see page 40



012270

027210
S/N → 90024444

012235
012798

185004 N/A
S/N → 9002444
If exhausted Use 185005+185030

155908
S/N → 9002282

012802 S/N → 9002282
012234 S/N → 9002282

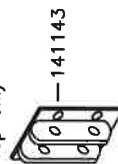
See page 3

155919
S/N → 9002282

See page 9

165047
S/N 9002283

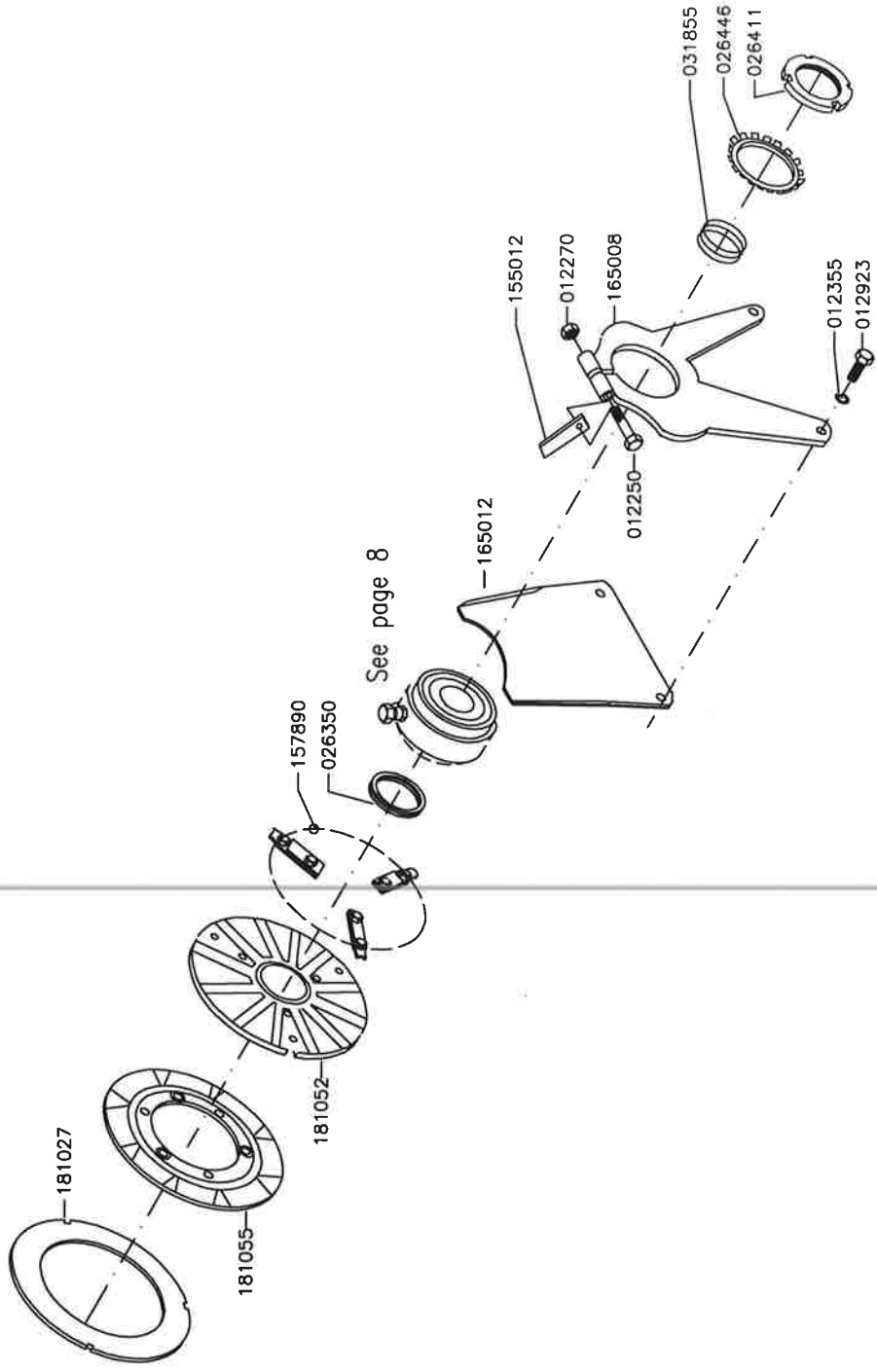
For 9002 Maxo Top only



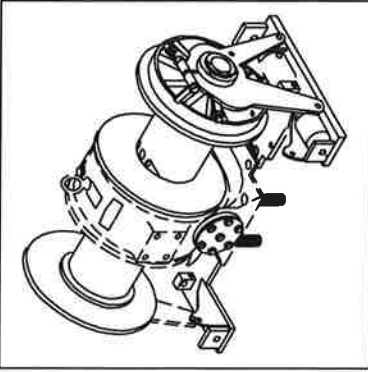
185005 S/N 9002445
185030 S/N 9002445

IGLAND 9002 Maxo TL, TLP IGLAND 9002 Maxo Top

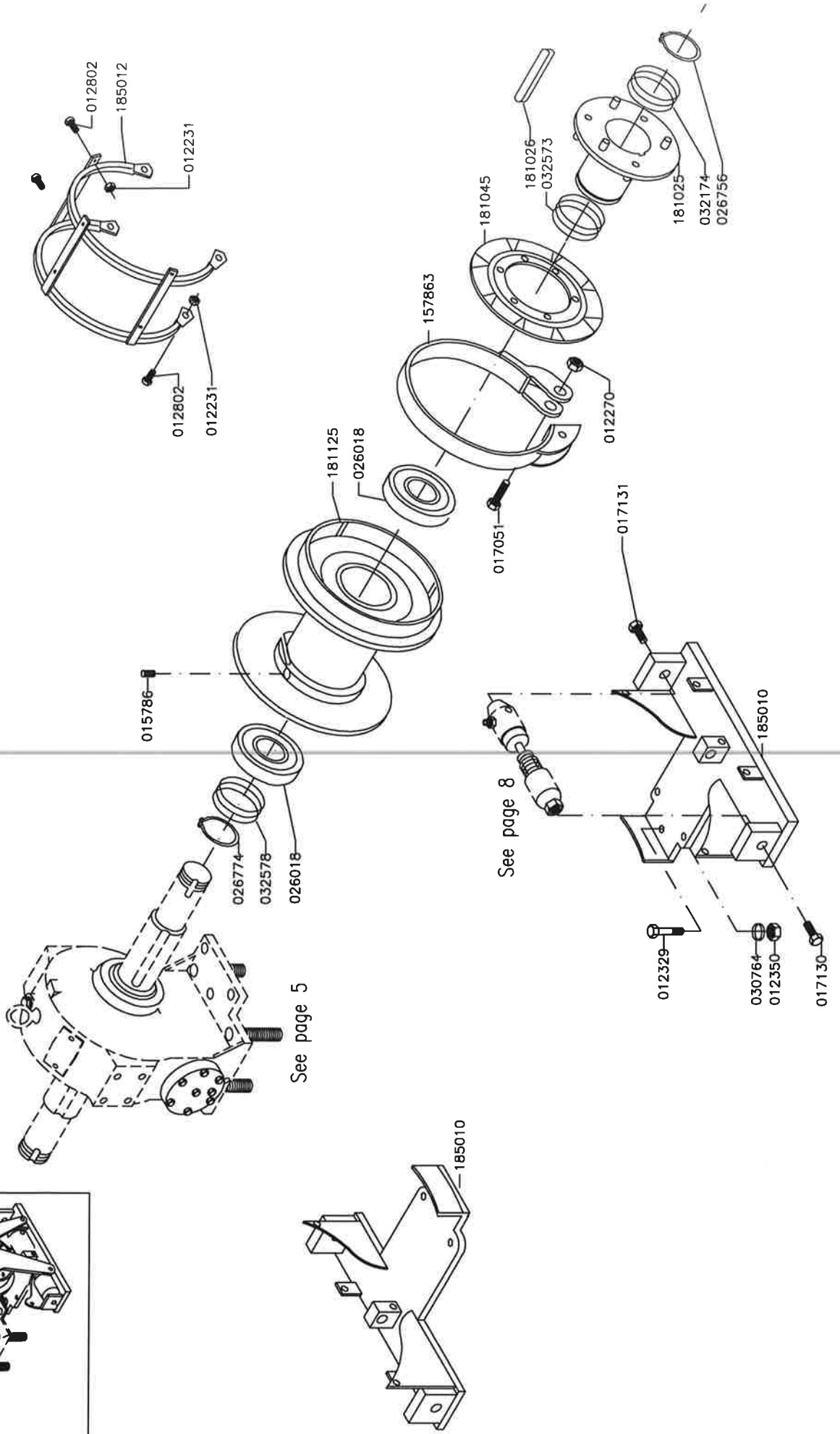
”HEAD”



IGLAND 9002 Maxo TL, TLP
 IGLAND 9002 Maxo Top

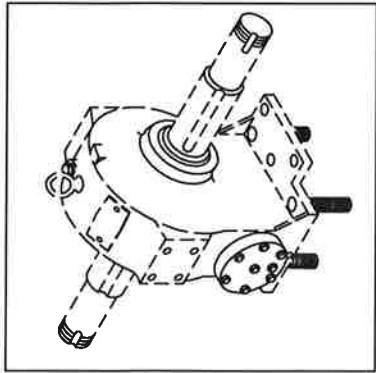


"HEAD"



IGLAND 9002 Maxo TL, TLP IGLAND 9002 Maxo Top

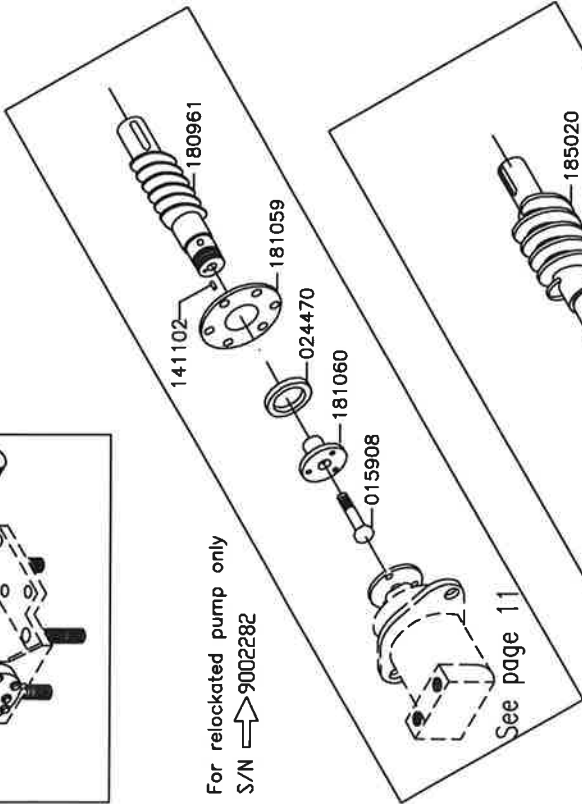
”HEAD”



See page 12



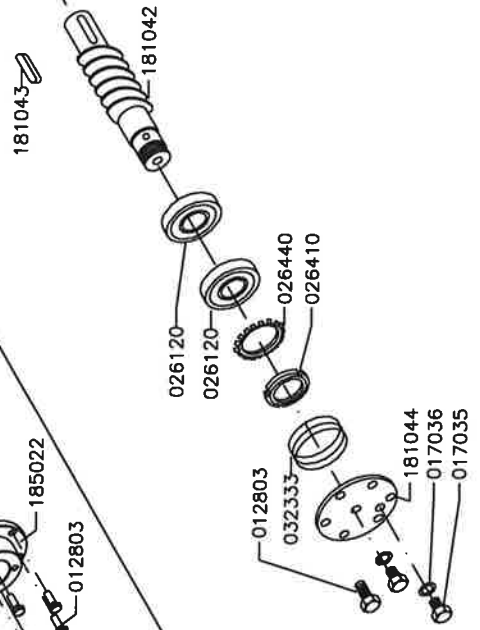
See page 11



For relocated pump only
S/N → 9002282

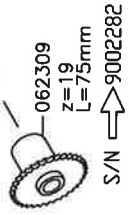
See page 11

See page 6



See page 12

For Hawe pump only



062309
z=19
L=75mm
S/N → 9002282



016629
017136



062330
z=19-3/4", 38-1/2"
L=80mm
S/N 9002283 →
(Sprocket backward)



062331
z=19-3/4", 19-3/4", 38-1/2"
L=130mm
S/N 9002283 →
(Sprocket forward)



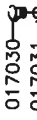
024500
181040



016586
181041
024724



026255
017035
017036



017030
017031



017015



070369
070368
070373



017050



017040



181043



181042



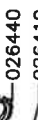
026120



026120



026440



026410



012803



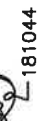
032333



181044



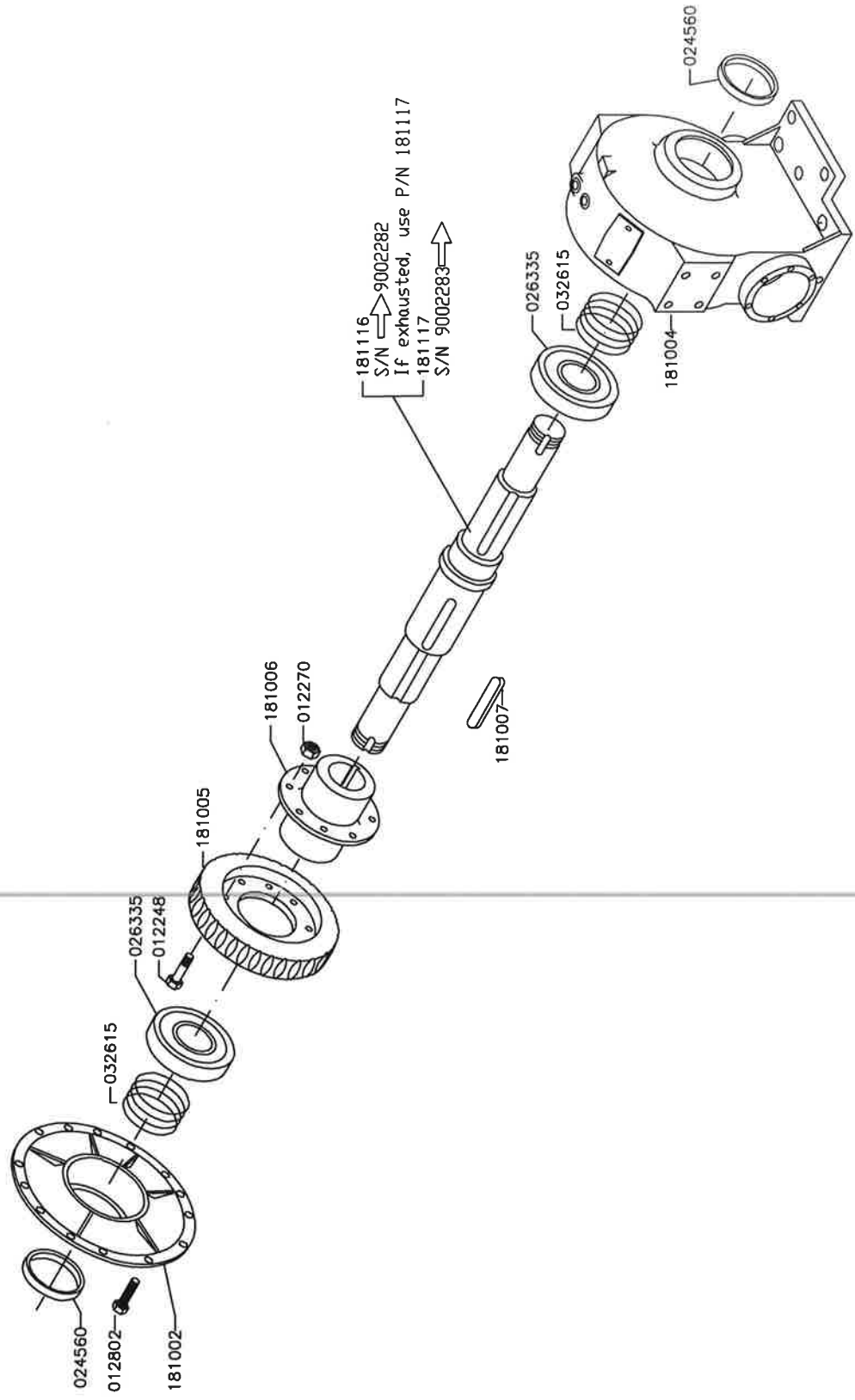
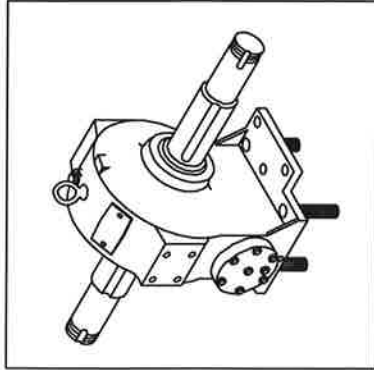
017036



017035

IGLAND 9002 Maxo TL, TLP IGLAND 9002 Maxo Top

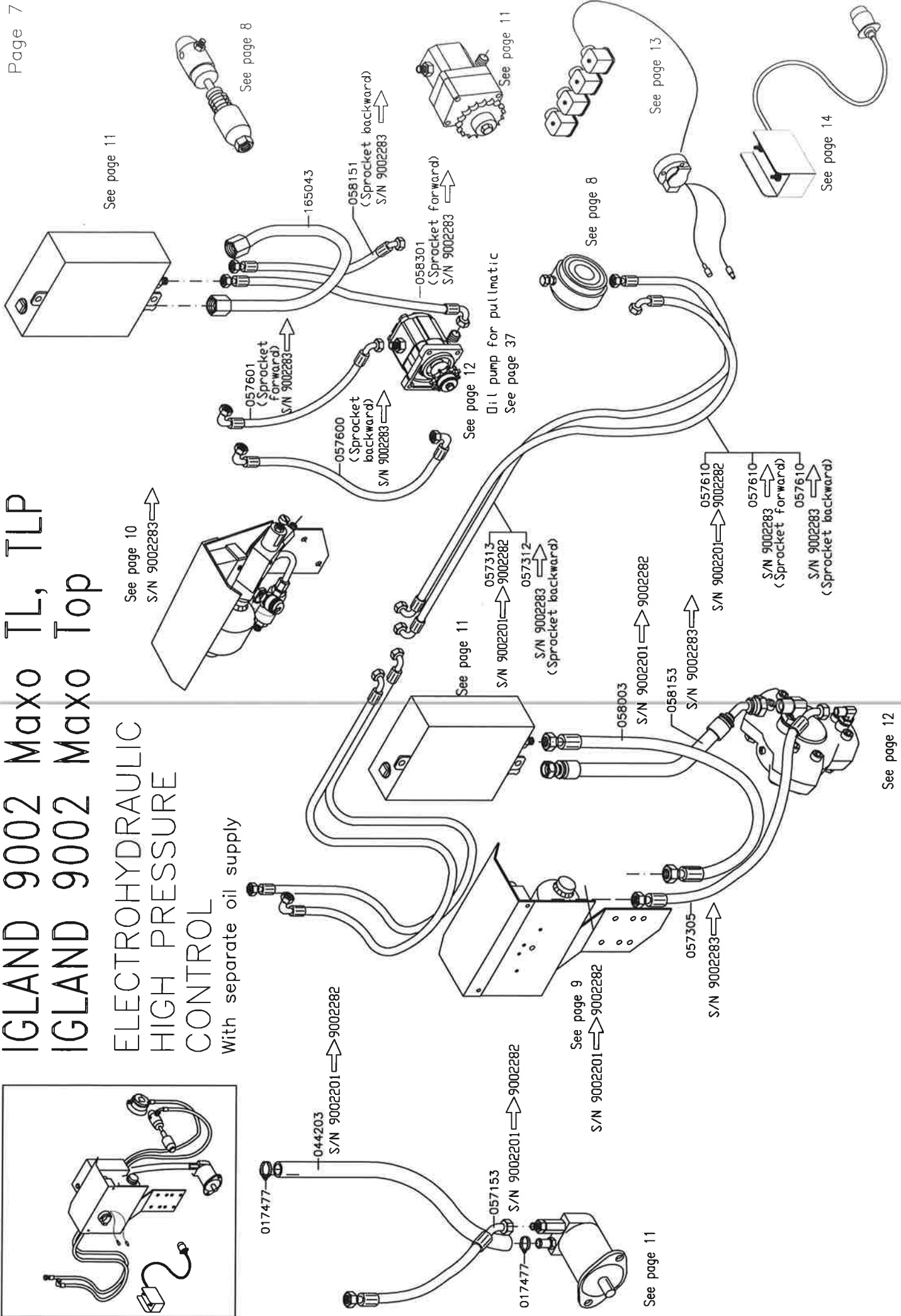
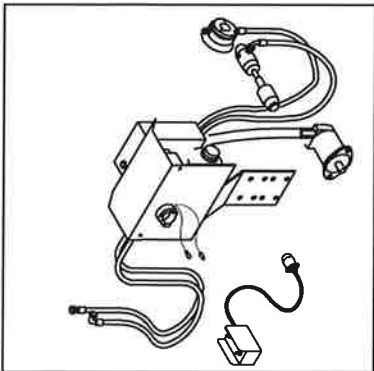
”HEAD”



IGLAND 9002 Maxo TL, TLP IGLAND 9002 Maxo Top

ELECTROHYDRAULIC HIGH PRESSURE CONTROL

With separate oil supply



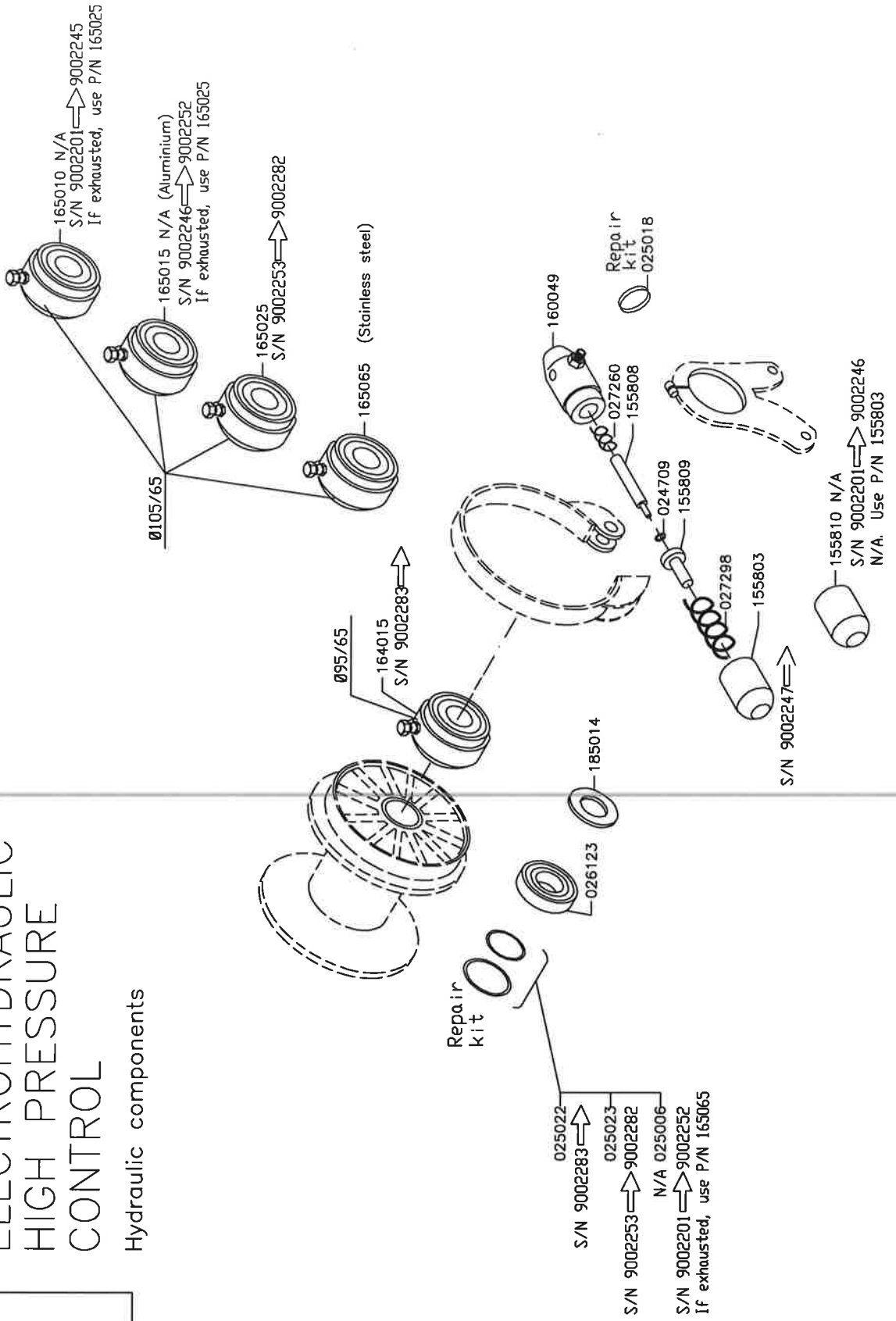
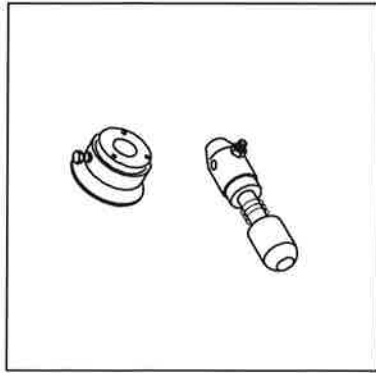
See page 12

See page 11

IGLAND 9002 Maxo TL, TLP IGLAND 9002 Maxo Top

ELECTROHYDRAULIC HIGH PRESSURE CONTROL

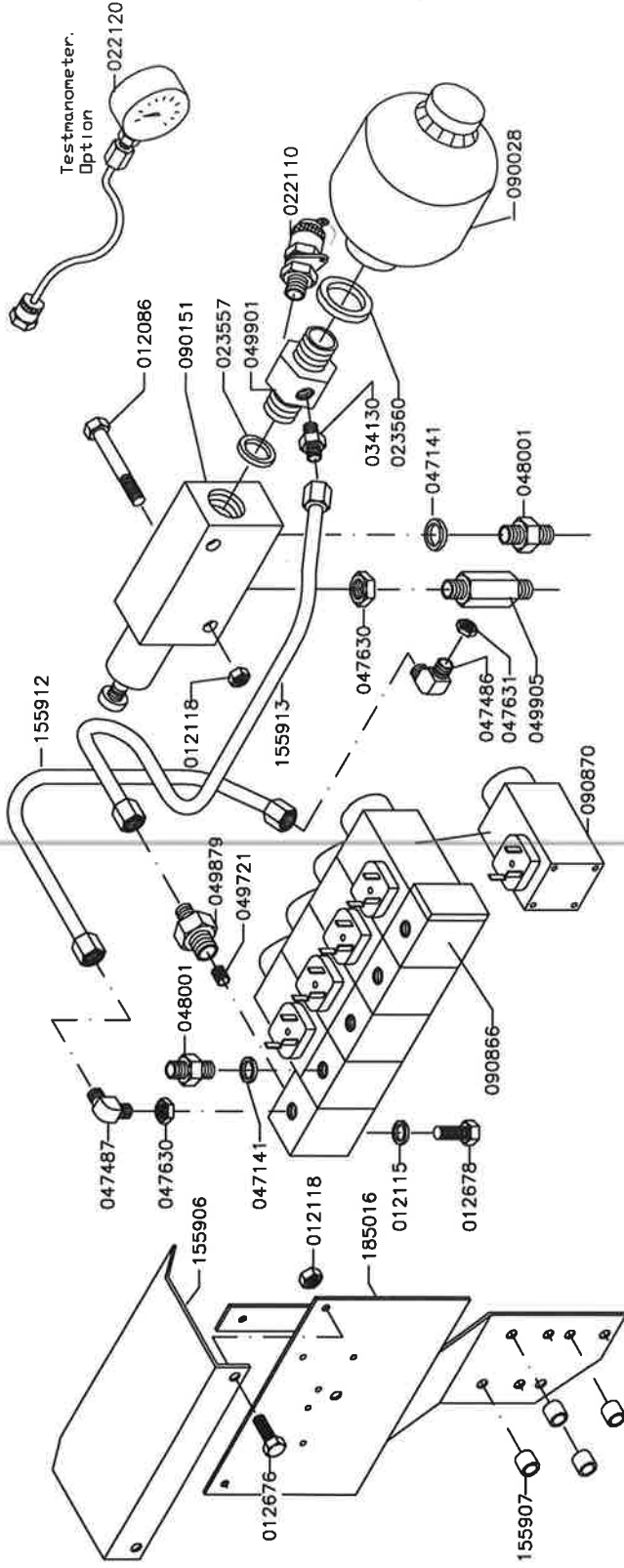
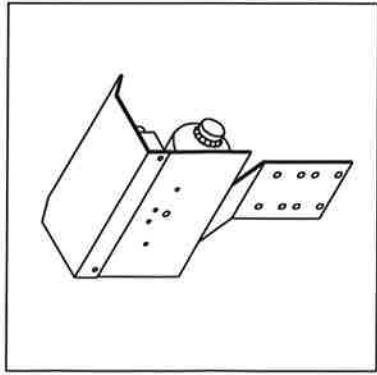
Hydraulic components



IGLAND 9002 Maxo TL IGLAND 9002 Maxo Top

ELECTROHYDRAULIC HIGH PRESSURE CONTROL

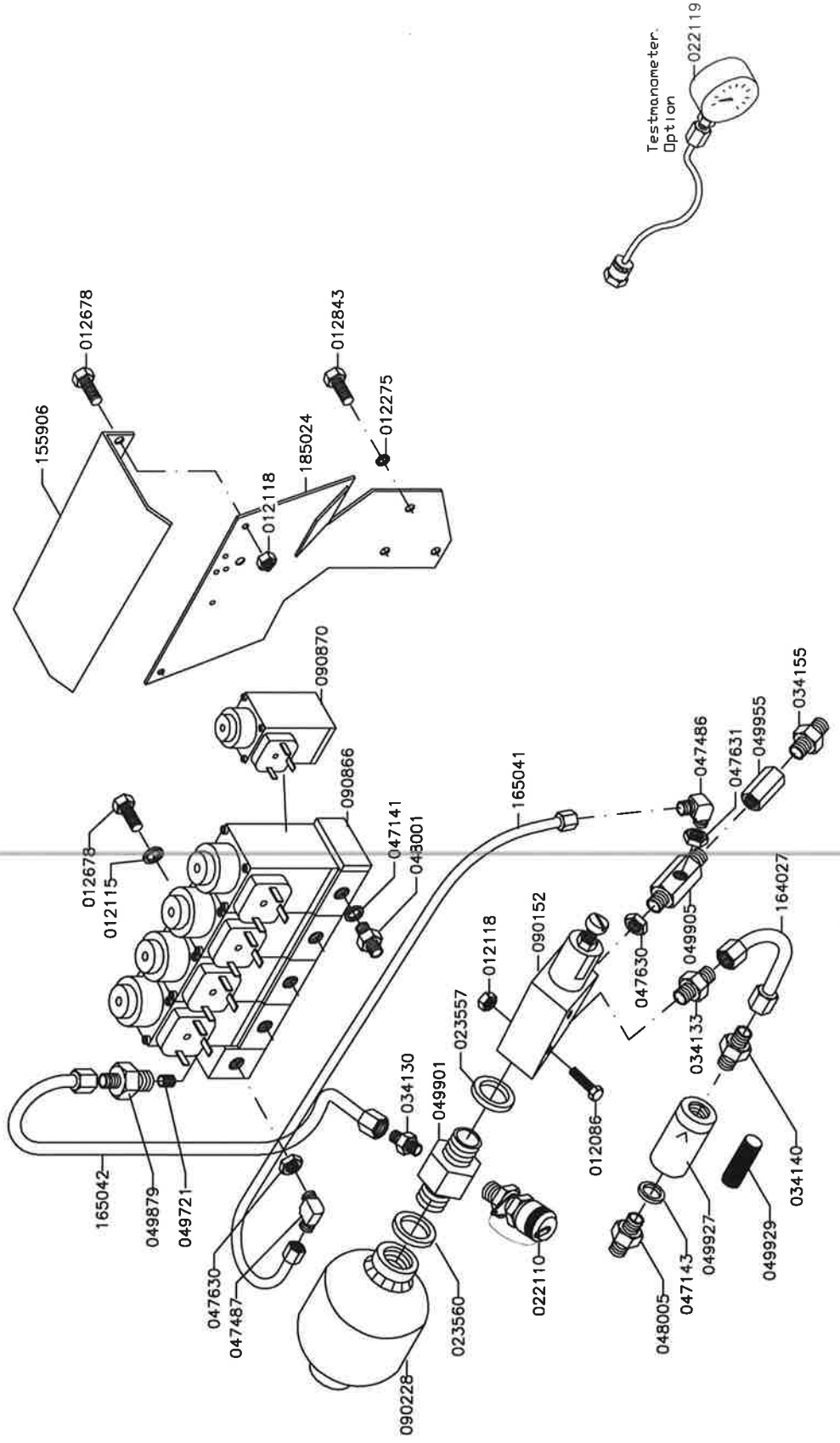
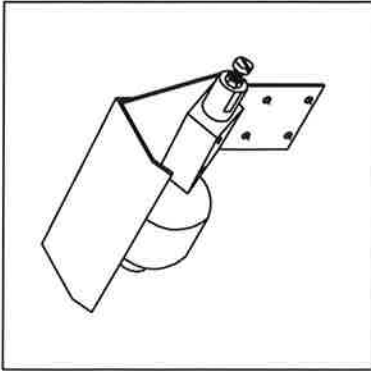
Hydraulic components S/N 9002201 ⇔ 9002282



IGLAND 9002 Maxo TL, TLP IGLAND 9002 Maxo Top

ELECTROHYDRAULIC HIGH PRESSURE CONTROL

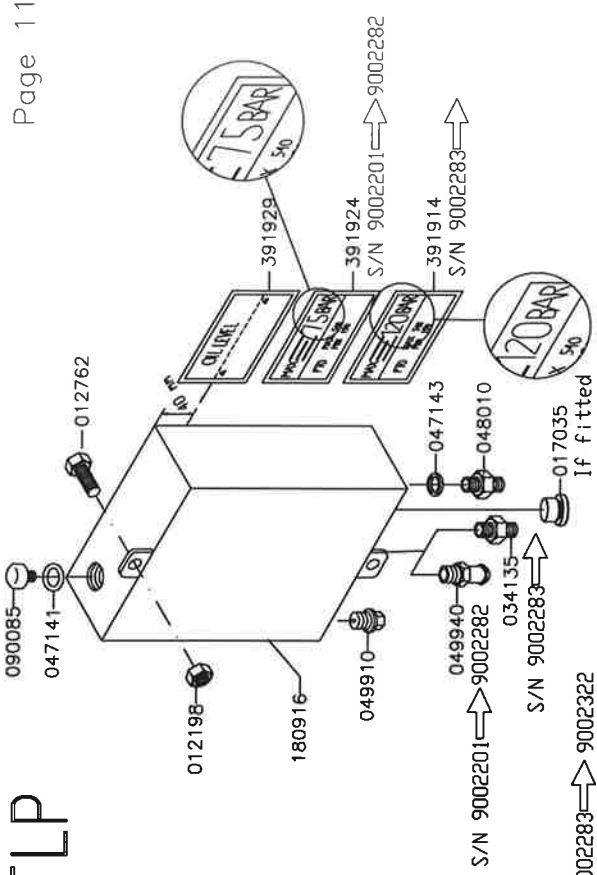
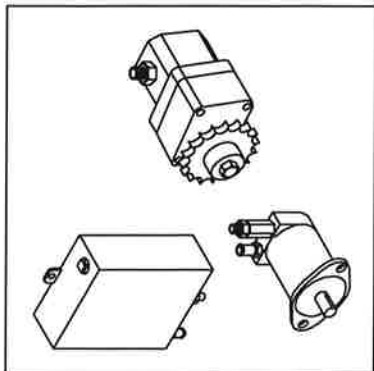
Hydraulic components S/N 9002283



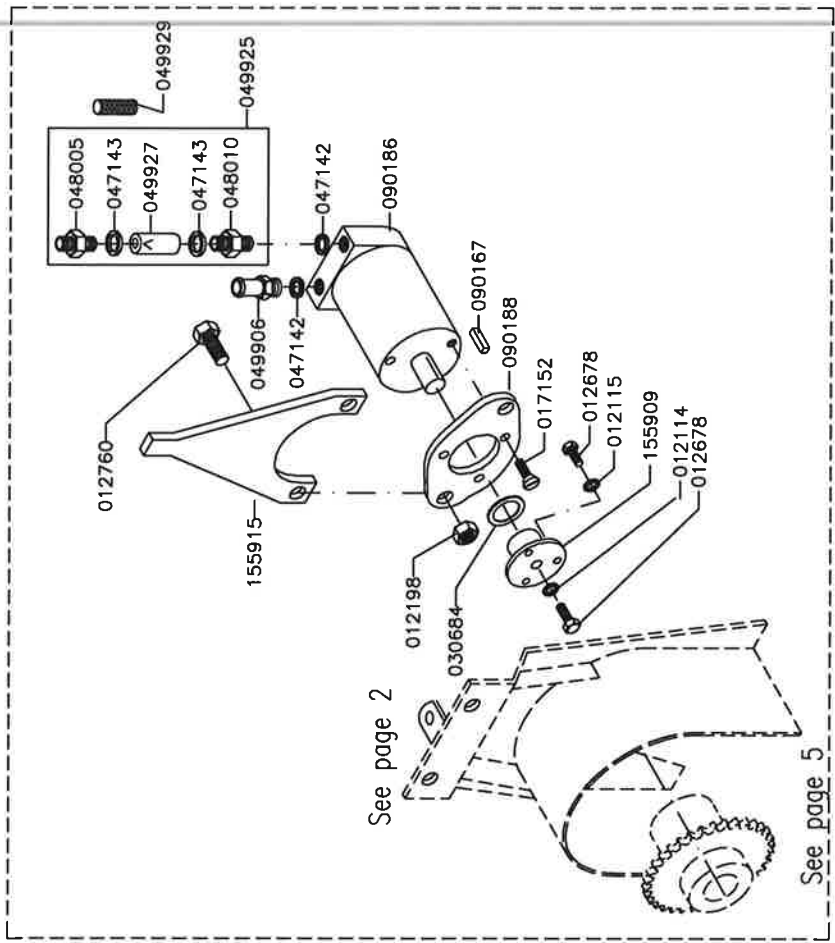
IGLAND 9002 Maxo TL, TLP IGLAND 9002 Maxo Top

ELECTROHYDRAULIC HIGH PRESSURE CONTROL

Hydraulic components

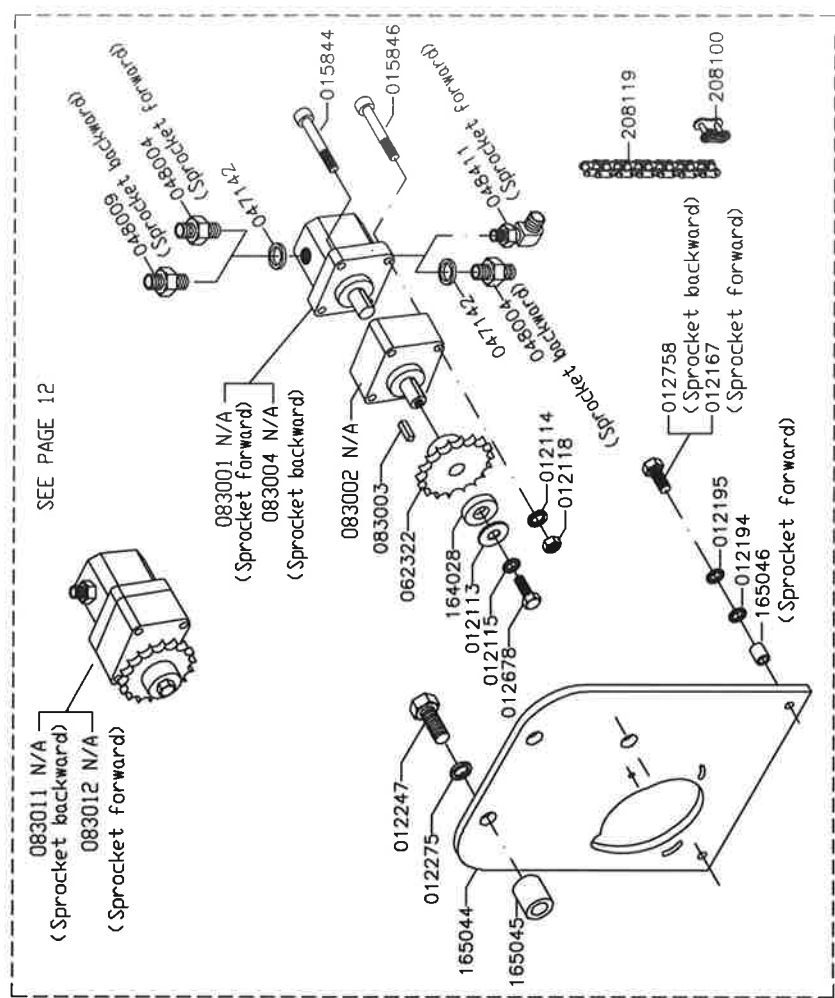


S/N 9002201 → 9002282



See page 2

See page 5

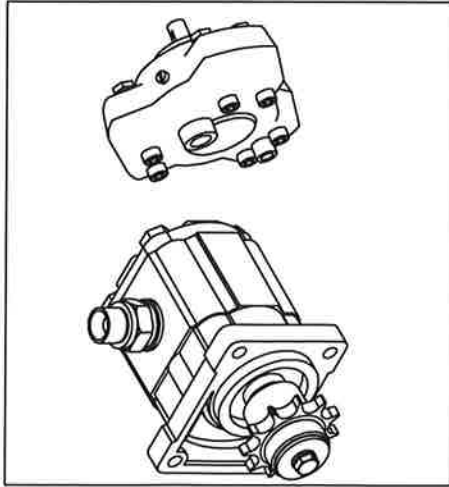


SEE PAGE 12

IGLAND 9002 Maxo TL, TLP IGLAND 9002 Maxo Top

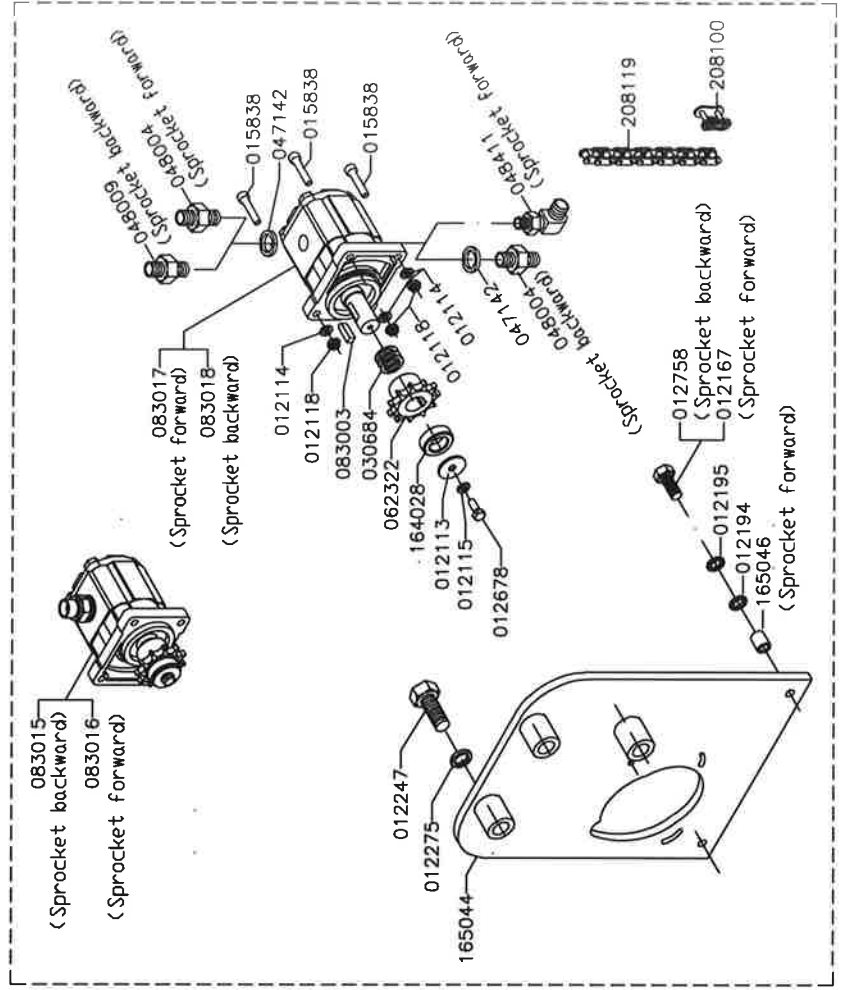
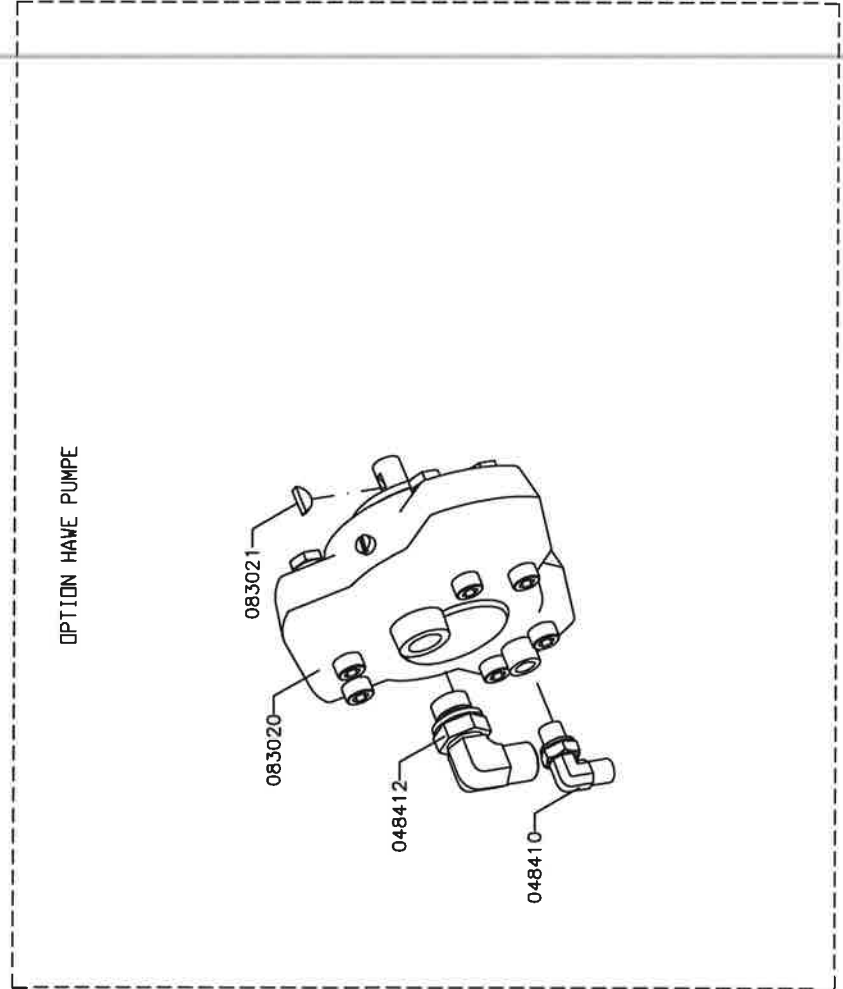
ELECTROHYDRAULIC HIGH PRESSURE CONTROL

Hydraulic components



OIL PUMP FOR PULLMATIC: SEE PAGE 37

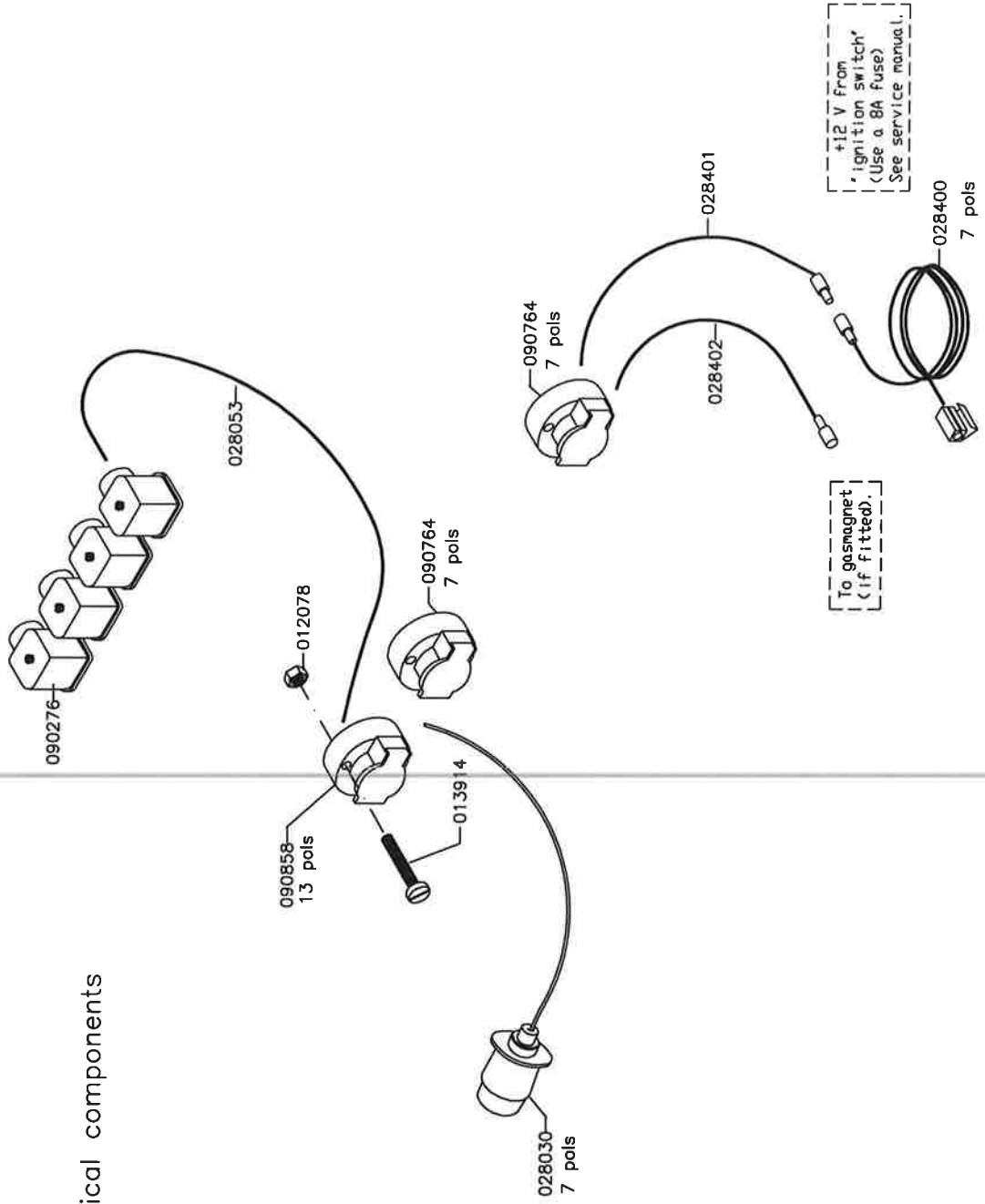
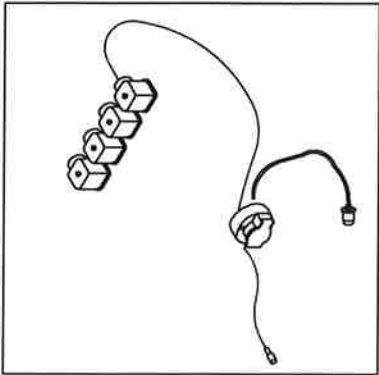
S/N 9002323 ⇄

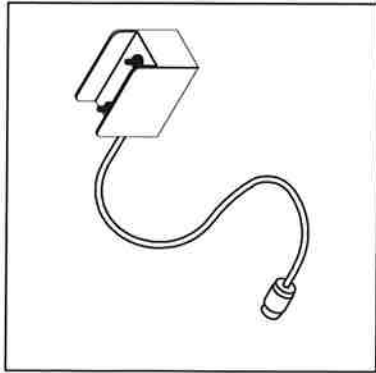


IGLAND 9002 Maxo TL, TLP IGLAND 9002 Maxo Top

ELECTROHYDRAULIC CONTROL

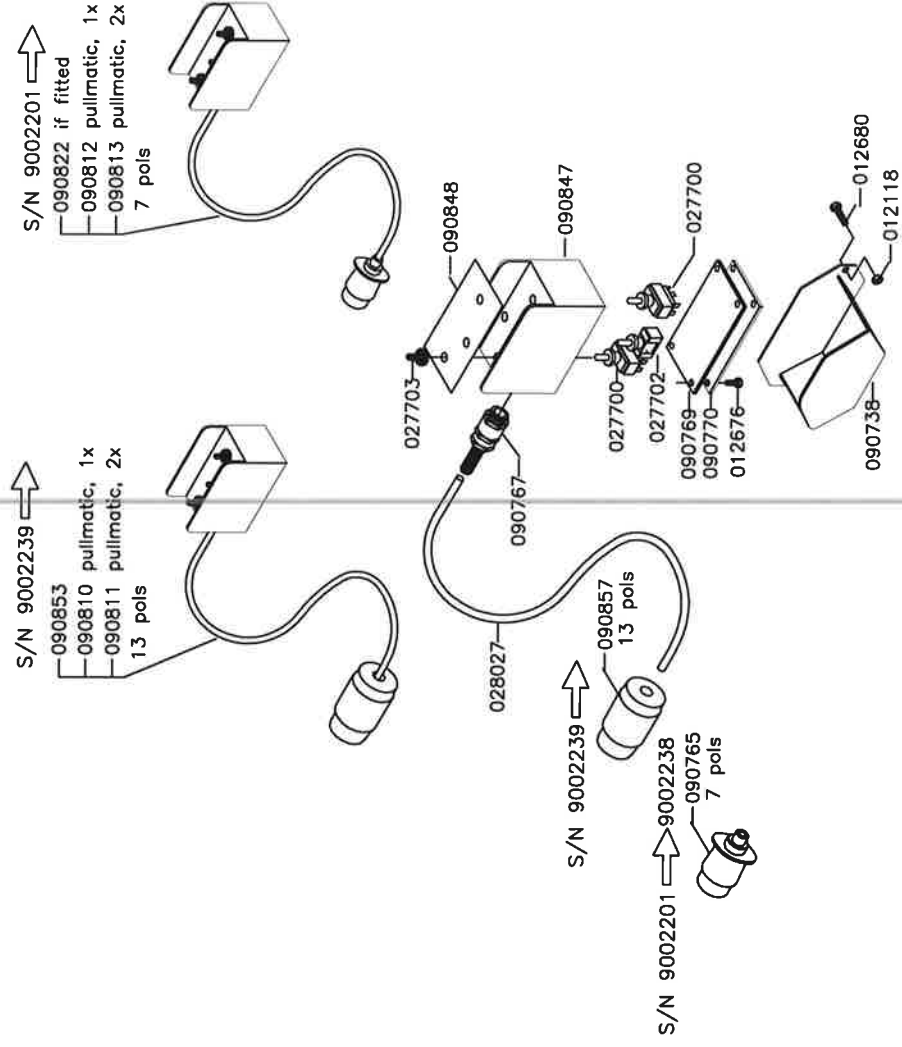
Electrical components





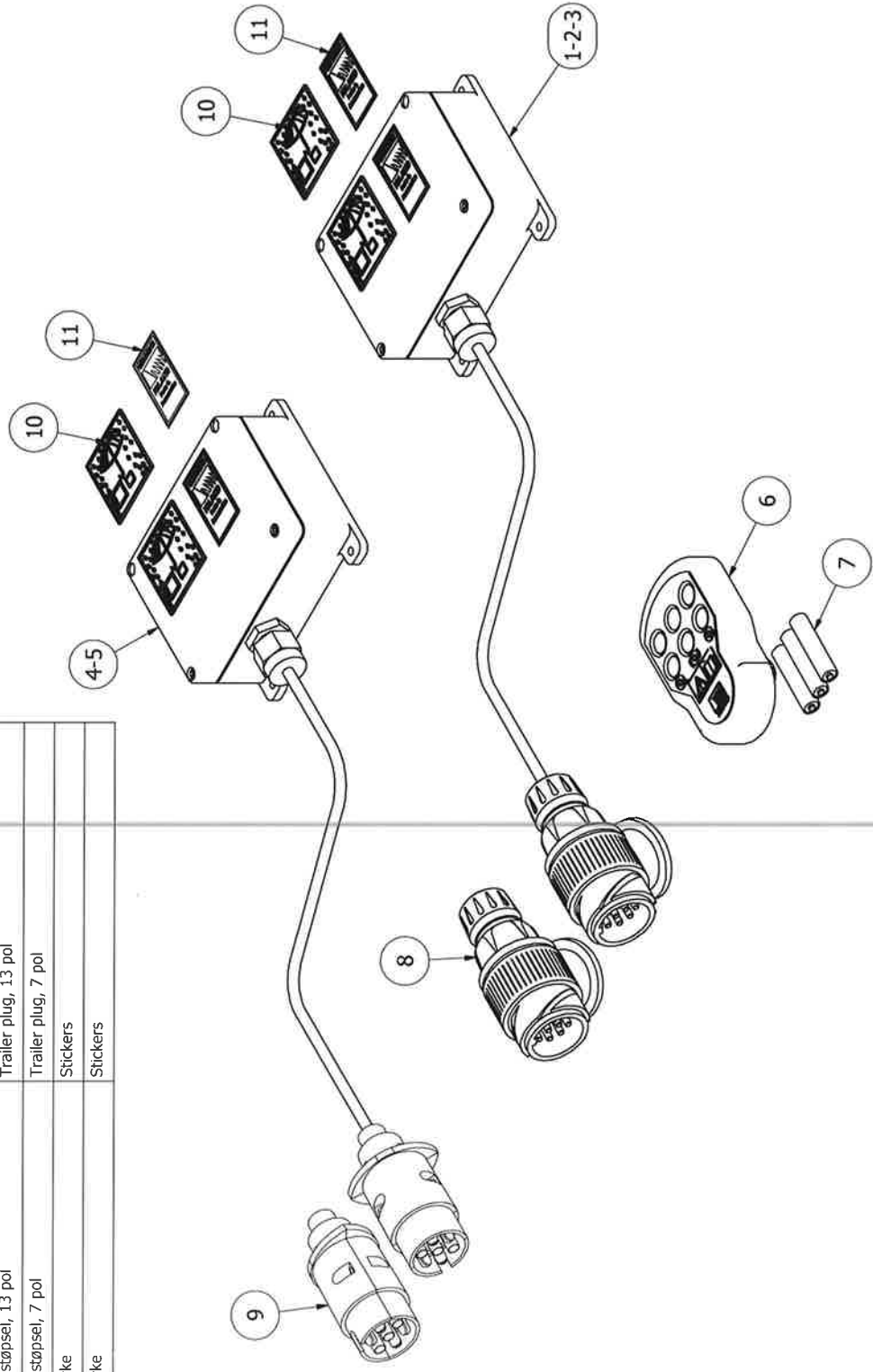
IGLAND 9002 Maxo TL, TLP IGLAND 9002 Maxo Top ELECTROHYDRAULIC CONTROL

Electrical components



RESERVEDELSLISTE – SPARE PARTS LIST

Pos.	Qty	Item No./ Varenummer	Beskrivelse	Description
1	1	095570	Mottaker 6 kanal, 2.4 GHz, 13 pol kontakt	Receiver 6 channel, 2.4 GHz, 13 pole plug
2	1	095571	Mottaker 6 kanal, 2.4 GHz, 13 pol kontakt, m/pullmatic for 1 trommel	Receiver 6 channel, 2.4 GHz, 13 pole plug, w/pullmatic for 1 drum
3	1	095572	Mottaker 6 kanal, 2.4 GHz, 13 pol kontakt, m/pullmatic for 2 trommle	Receiver 6 channel, 2.4 GHz, 13 pole plug, w/pullmatic for 2 drum
4	1	095573	Mottaker 6 kanal, 2.4 GHz, 7 pol kontakt	Receiver 6 channel, 2.4 GHz, 7 pole plug
5	1	095574	Mottaker 6 kanal, 2.4 GHz, 7 pol kontakt, m/pullmatic for 1 trommel	Receiver 6 channel, 2.4 GHz, 7 pole plug, w/pullmatic for 1 drum
6	1	095624	Radiosender 6 kanal 2,4 GHz	Radio transmitter 6 channel 2,4 GHz
7	3	095370	Batteri 1,5V AAA	Batteri 1.5V AAA
8	1	090857	Tilhengerstøpse, 13 pol	Trailer plug, 13 pol
9	1	090765	Tilhengerstøpse, 7 pol	Trailer plug, 7 pol
10	2	391426	Klebmerke	Stickers
11	2	391427	Klebermerke	Stickers

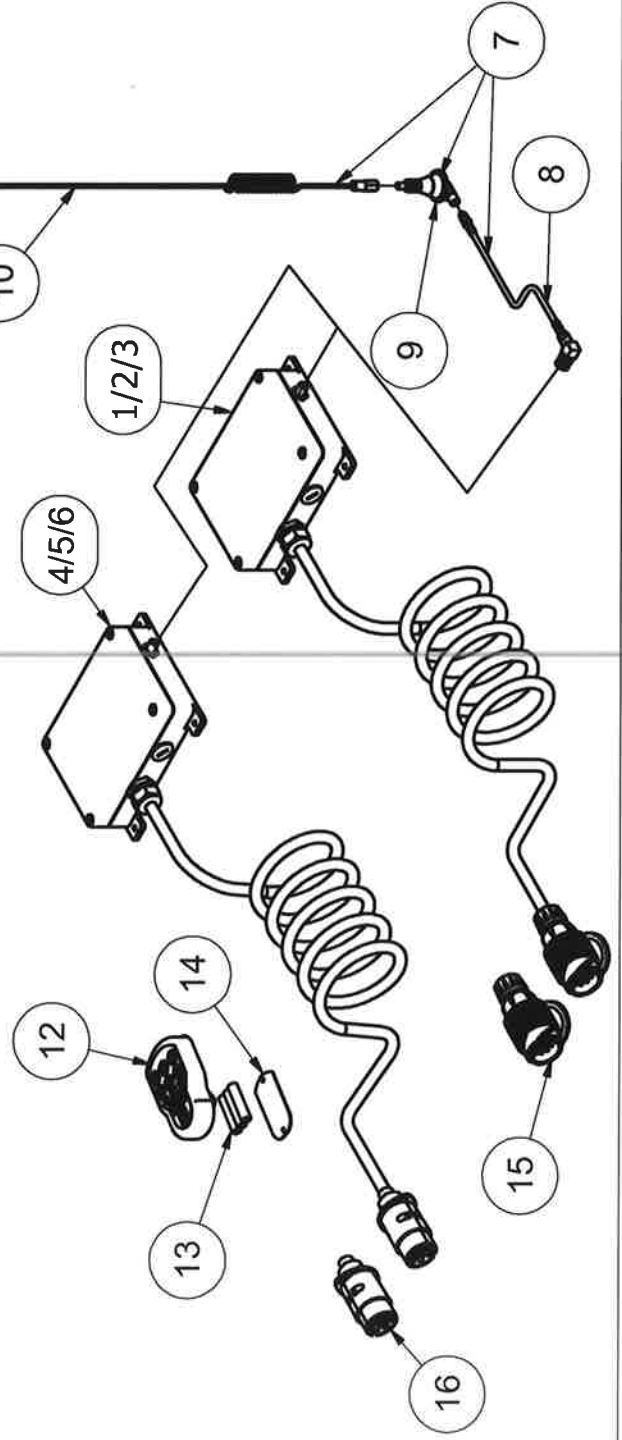


RESERVEDELSLISTE - SPARE PARTS LIST - ERSATZTEILLISTE

Pos	Art.No.	No	Beskrivelse	Description	Bezeichnung
-	091176	1	Radiobetjening, kpl.	Radio remote control compl.	
	095390		Radiobetjening, kpl. pullmatic for 1 tr.	Radio remote control compl. for pullmatic 1 dr.	
	095391		Radiobetjening, kpl. pullmatic for 2 tr.	Radio remote control compl. for pullmatic 2 dr.	
	090657		Tillegg for 7 pols kontakt	Add for 7 pole plug	
1	095389	1	Mottaker, 6 kanal, 433Mhz, 13 pol kontakt	Receiver, 6 ch., 433 MHz 13 pole plug	
2	095393	1	Mottaker, 6 kanal, 433Mhz, 13 pol kontakt pullmatic for 1 tr.	Receiver, 6 ch., 433 MHz 13 pole plug pullmatic for 1 dr.	
3	095395	1	Mottaker, 6 kanal, 433Mhz, 13 pol kontakt pullmatic for 2 tr.	Receiver, 6 ch., 433 MHz 13 pole plug pullmatic for 2 dr.	
4	095388	1	Mottaker, 6 kanal, 433Mhz, 7 pol kontakt	Receiver, 6 ch., 433MHz 7 pole plug	
5	095392	1	Mottaker, 6 kanal, 433Mhz, 7 pol kontakt pullmatic for 1 tr.	Receiver, 6 ch., 433 MHz 7 pole plug pullmatic for 1 dr.	
6	095394	1	Mottaker, 6 kanal, 433Mhz, 7 pol kontakt pullmatic for 2 tr.	Receiver, 6 ch., 433 MHz 7 pole plug pullmatic for 2 dr.	

RESERVEDELSLISTE - SPARE PARTS LIST - ERSATZTEILLISTE

Pos	Art.No.	No	Beskrivelse	Description	Bezeichnung
7	095289	1	Antenne komplett, 433 Mhz	Antenna compl., 433MHz	
8	095292	1	Antennekabel	Antenna cable	
9	095290	1	Antennefot	Antenna base	
10	095291	1	Antennepisk, 433 Mhz	Antenna	
12	095364	1	Radiosender, 6 kanal, 433 Mhz	Transmitter, 6 ch., 433MHz	
13	095370	3	Batteri 1,5V AAA	Battery 1,5V	
14	095371	1	Batterilokk	Battery cover	
15	090857	1	Støpsel, 13 pol	13 pole plug	
16	090765	1	Støpsel, 7 pol	7 pole plug	



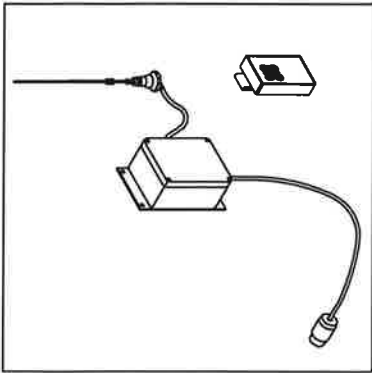
IGLAND 9002 Maxo TL, TLP IGLAND 9002 Maxo Top

TELERADIO

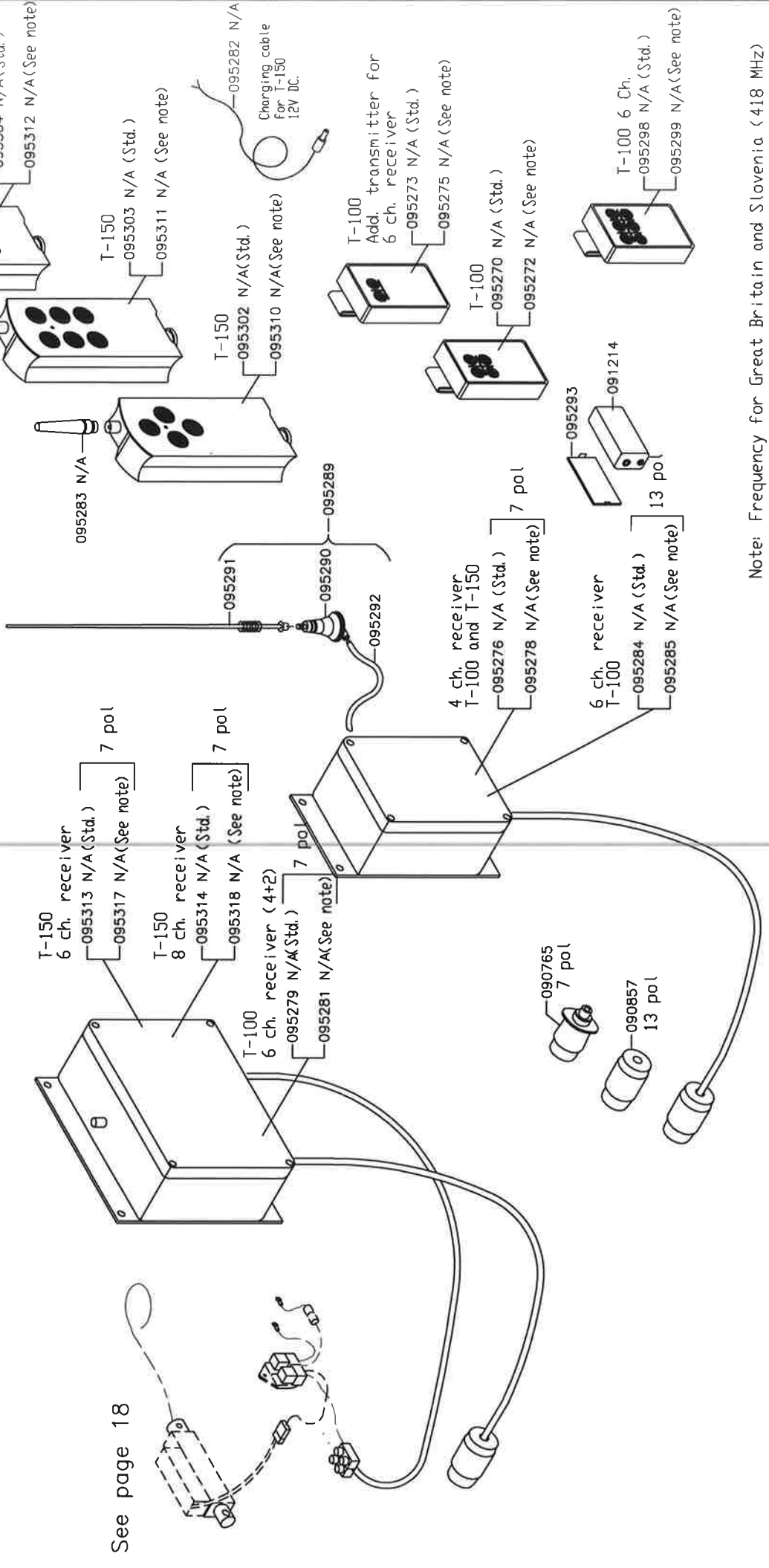
- RADIO REMOTE CONTROL KIT, T-100, 4 ch.: 091160 N/A
- RADIO REMOTE CONTROL KIT, T-100, 6 ch.: 091176
- RADIO REMOTE CONTROL KIT, T-150, 4 ch.: 091180 N/A
- RADIO REMOTE CONTROL KIT, T-150, 6 ch.: 091181 N/A
- RADIO REMOTE CONTROL KIT, T-150, 8 ch.: 091182 N/A

If fitted. Add. price for extra 2 ch. transmitter/6 ch. receiver (only for 091160)
Add. price for frequency for Great Britain and Slovenia

- 091161 N/A
- 091163 N/A

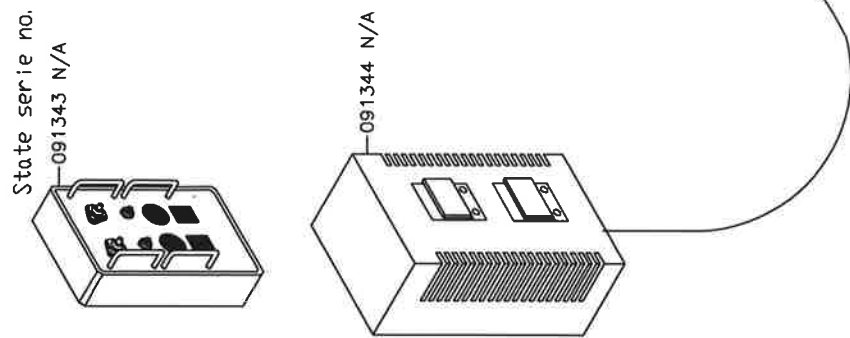
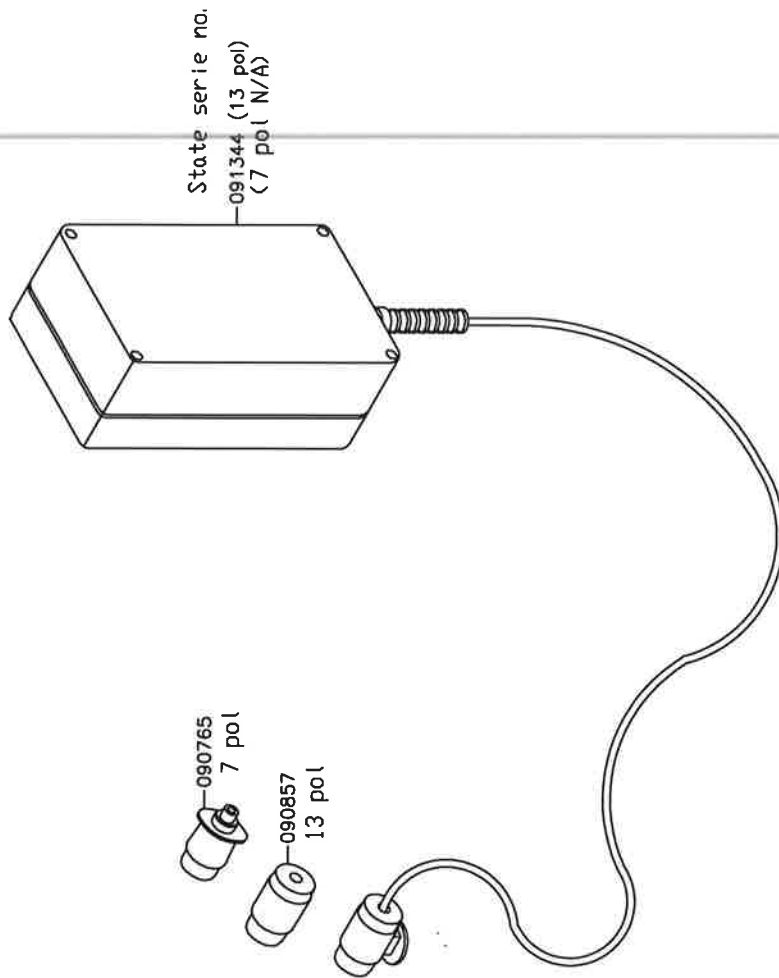
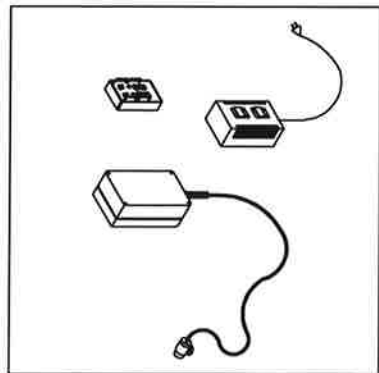


See page 18



IGLAND 9002 Maxo TL, TLP IGLAND 9002 Maxo Top

HM RADIO REMOTE CONTROL F202, 7 pol:	091195 N/A
HM RADIO REMOTE CONTROL F202, 13 pol:	091322 N/A
HM RADIO REMOTE CONTROL F202, 13 pol m/RPM actuator 091443 :	091326 N/A
HM RADIO REMOTE CONTROL F202, 13 pol m/RPM actuator 091441 :	091325 N/A
HM RADIO REMOTE CONTROL F202, 7 pol m/ RPM actuator 091141:	091192 N/A

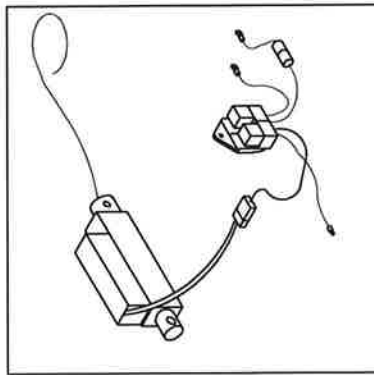


IGLAND 9002 Maxo TL, TLP IGLAND 9002 Maxo Top

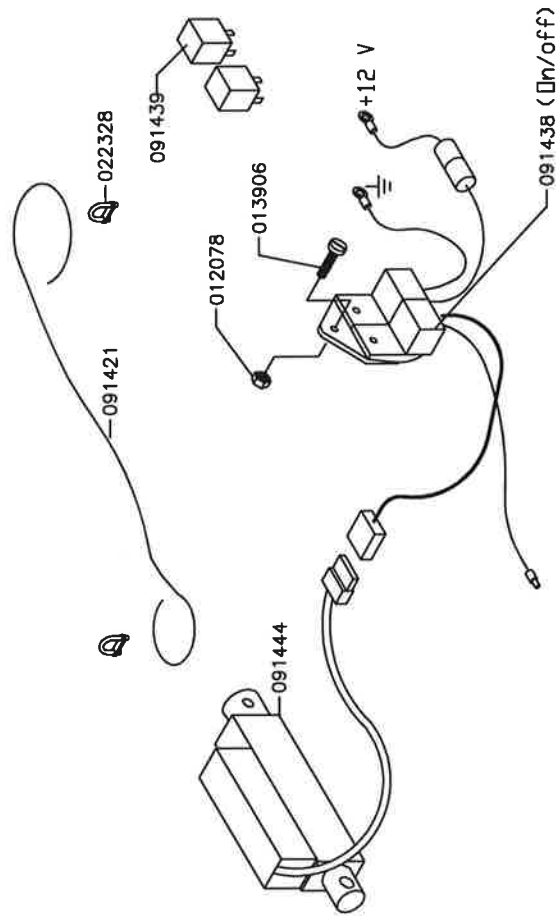
RPM ACTUATOR, compl.: 091442
On/off function

RPM ACTUATOR, compl.: 091443
Stepless function.

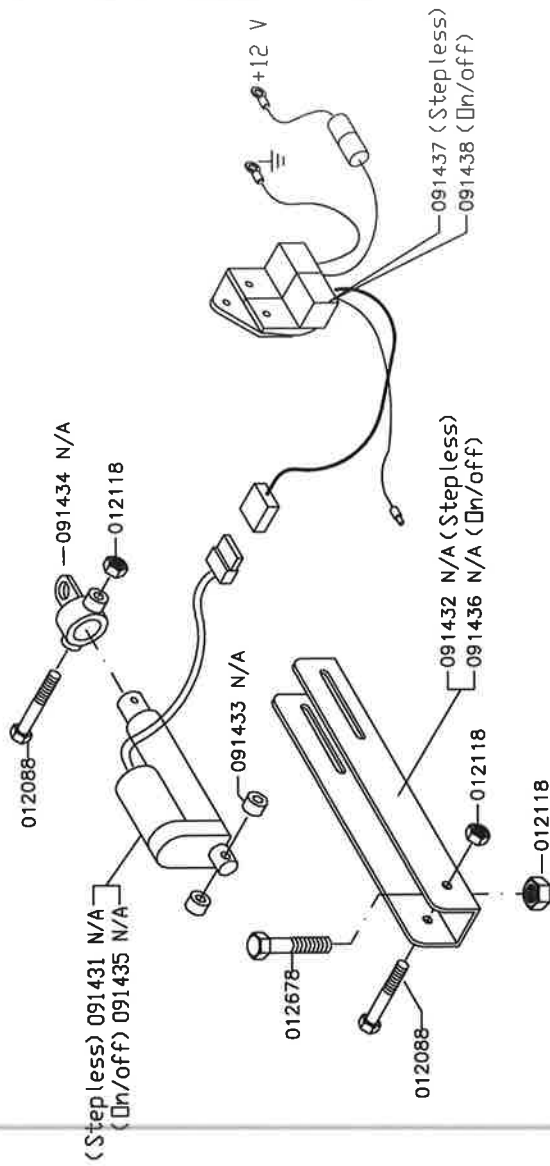
If fitted.



Later version

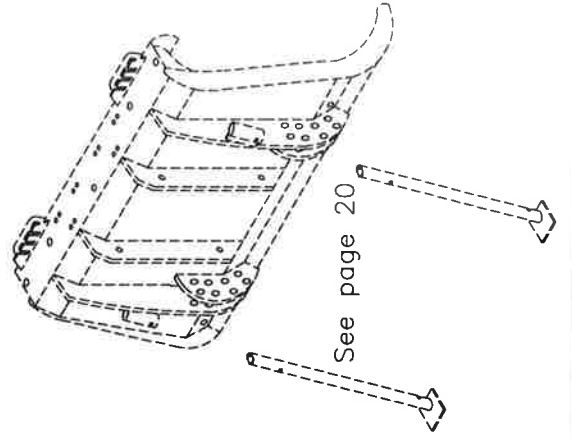
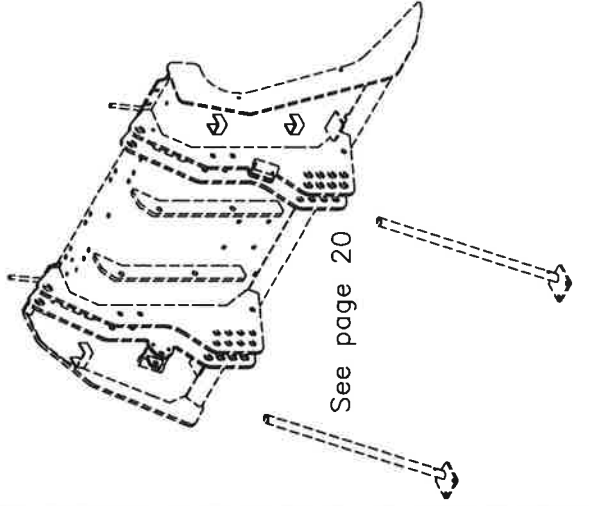
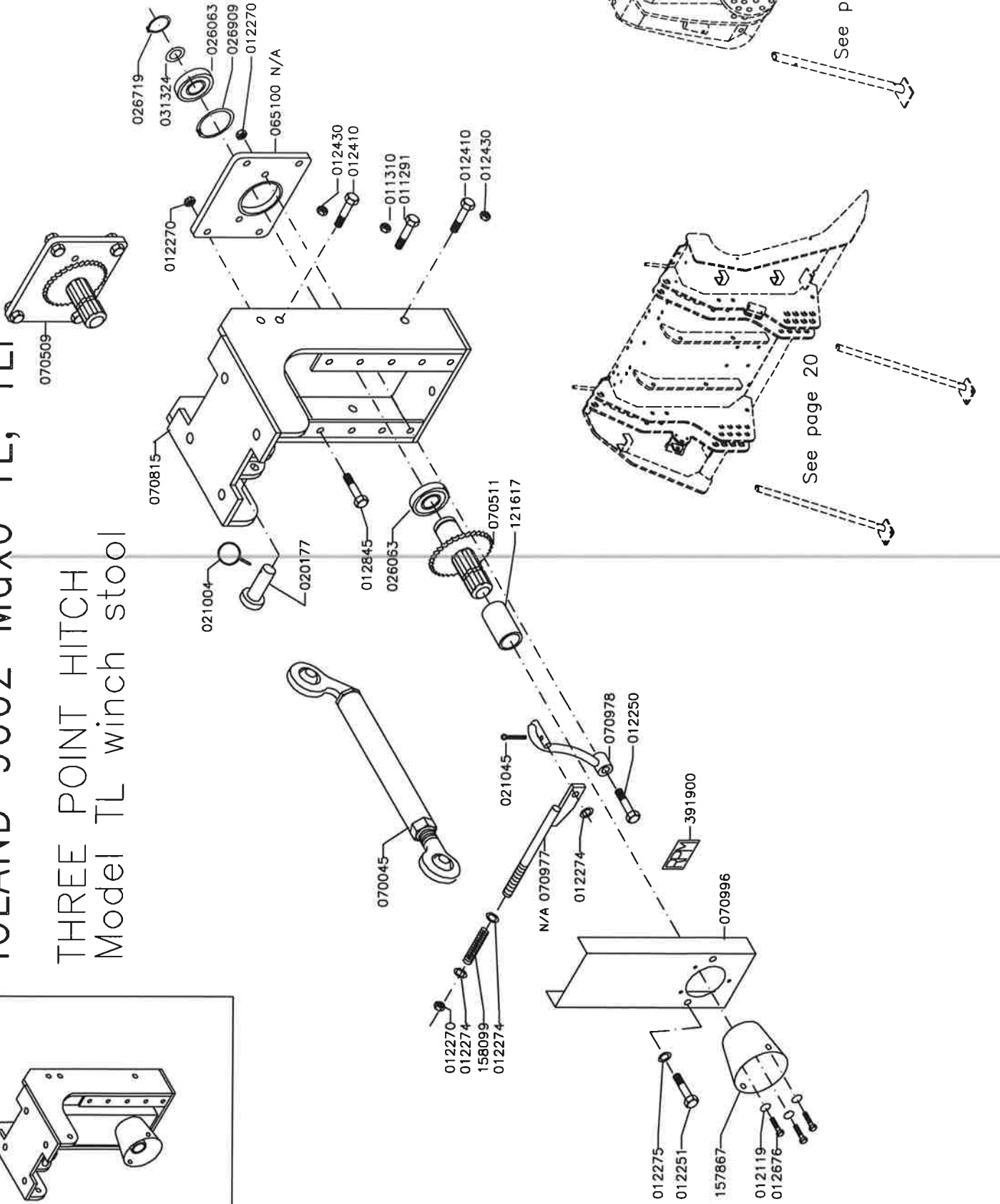
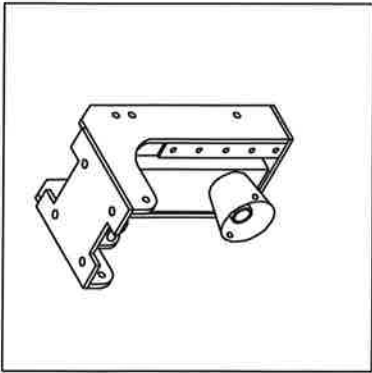


Early version



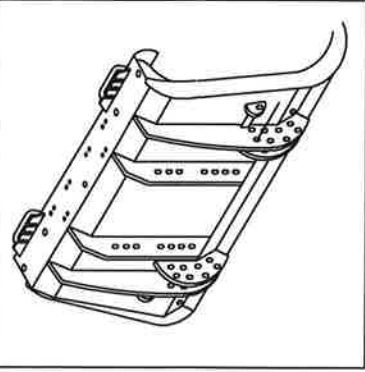
IGLAND 9002 Maxo TL, TLP

THREE POINT HITCH Model TL winch stool

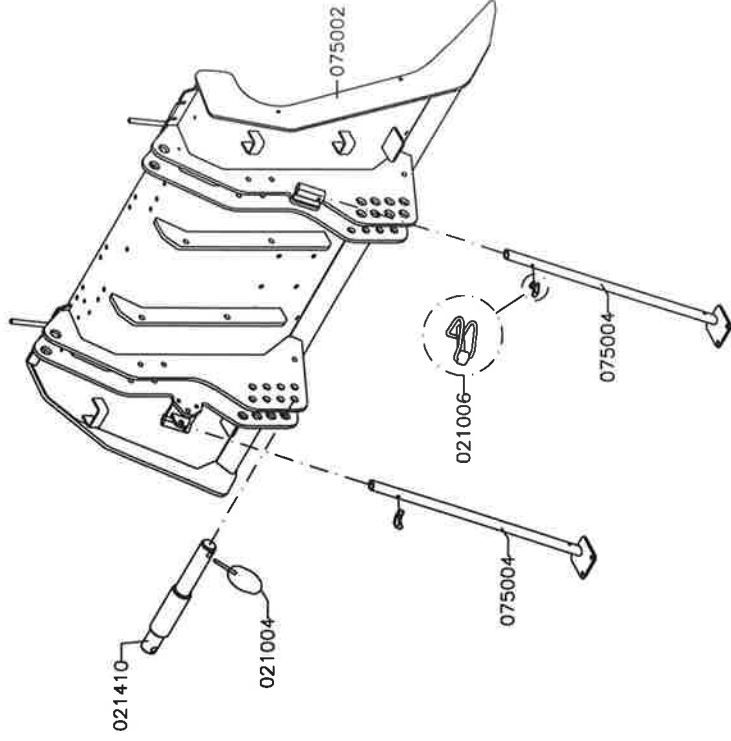


IGLAND 9002 Maxo TL TLP

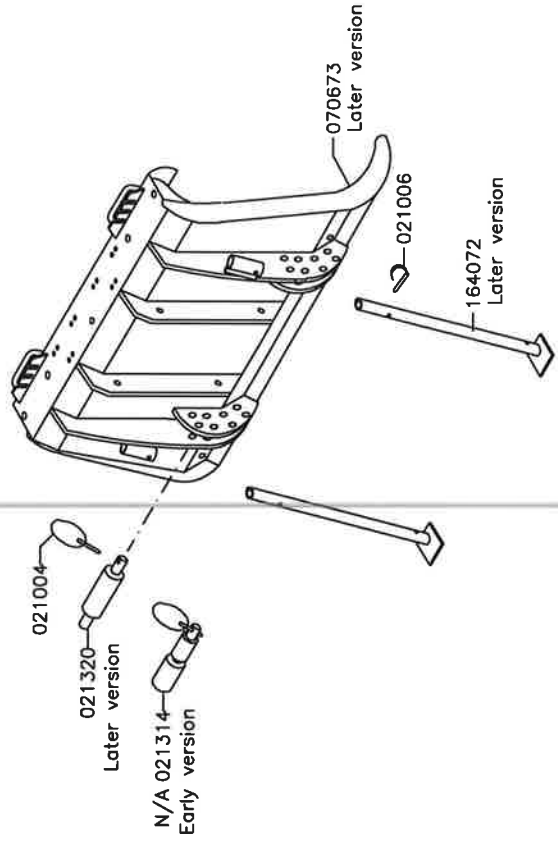
BUTT PLATE



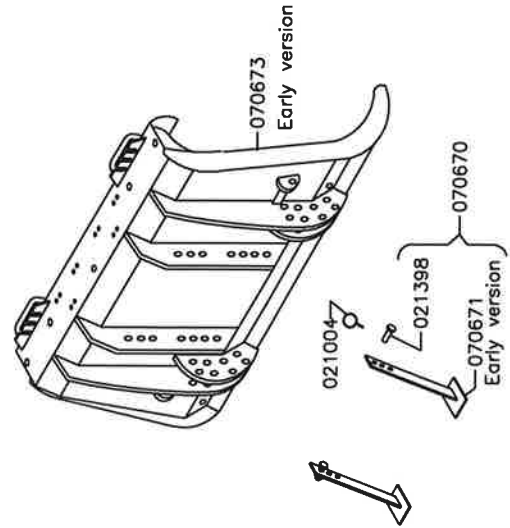
TLP 2,2 m



Ligna 2,0 m

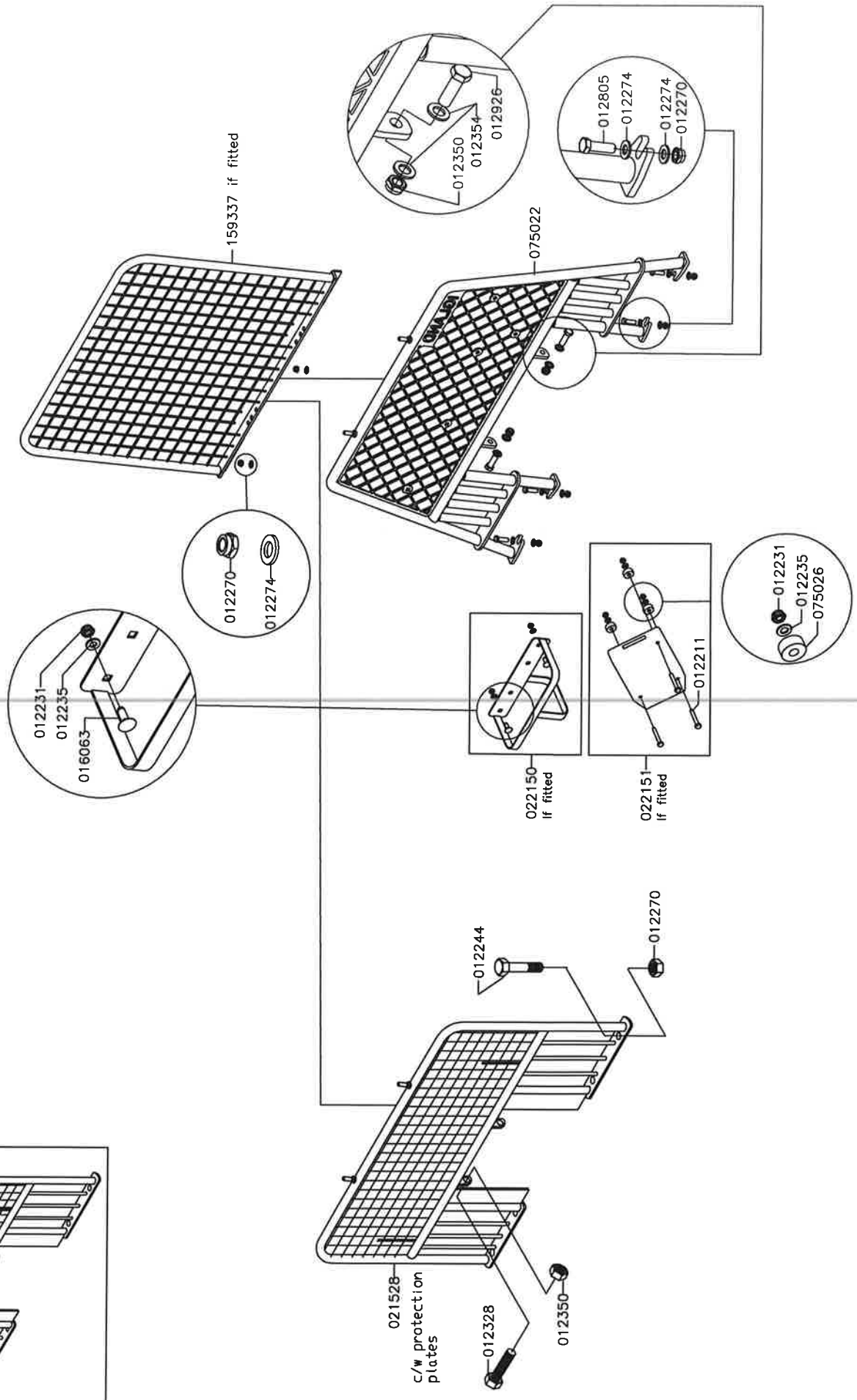
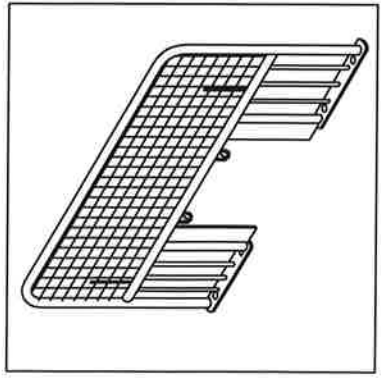


Ligna 2,0 m



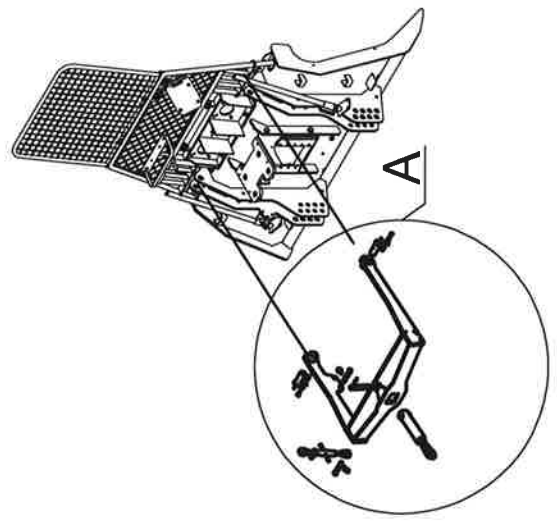
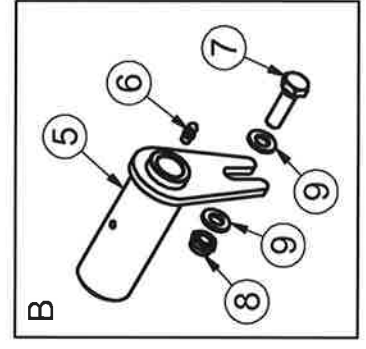
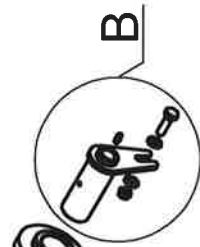
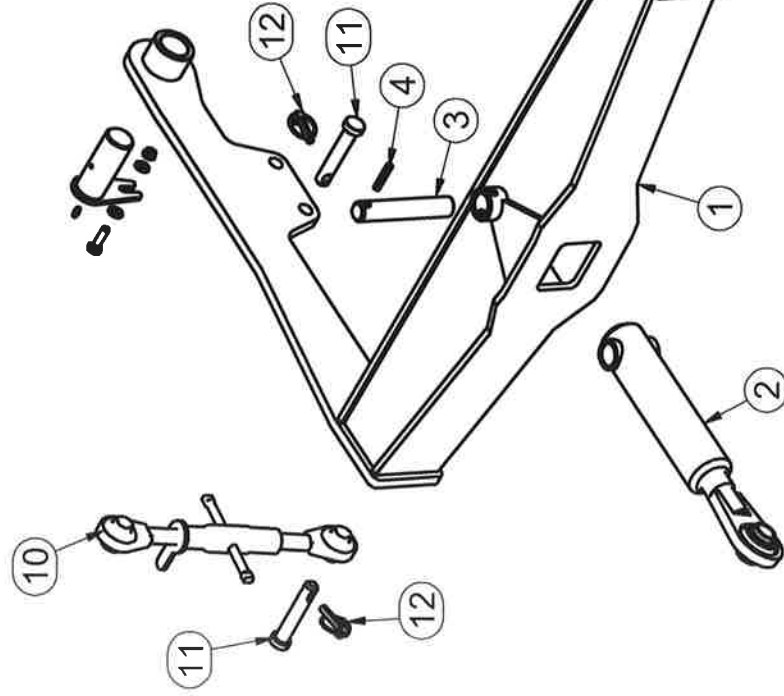
IGLAND 9002 Maxo TL, TLP

PROTECTION SCREEN



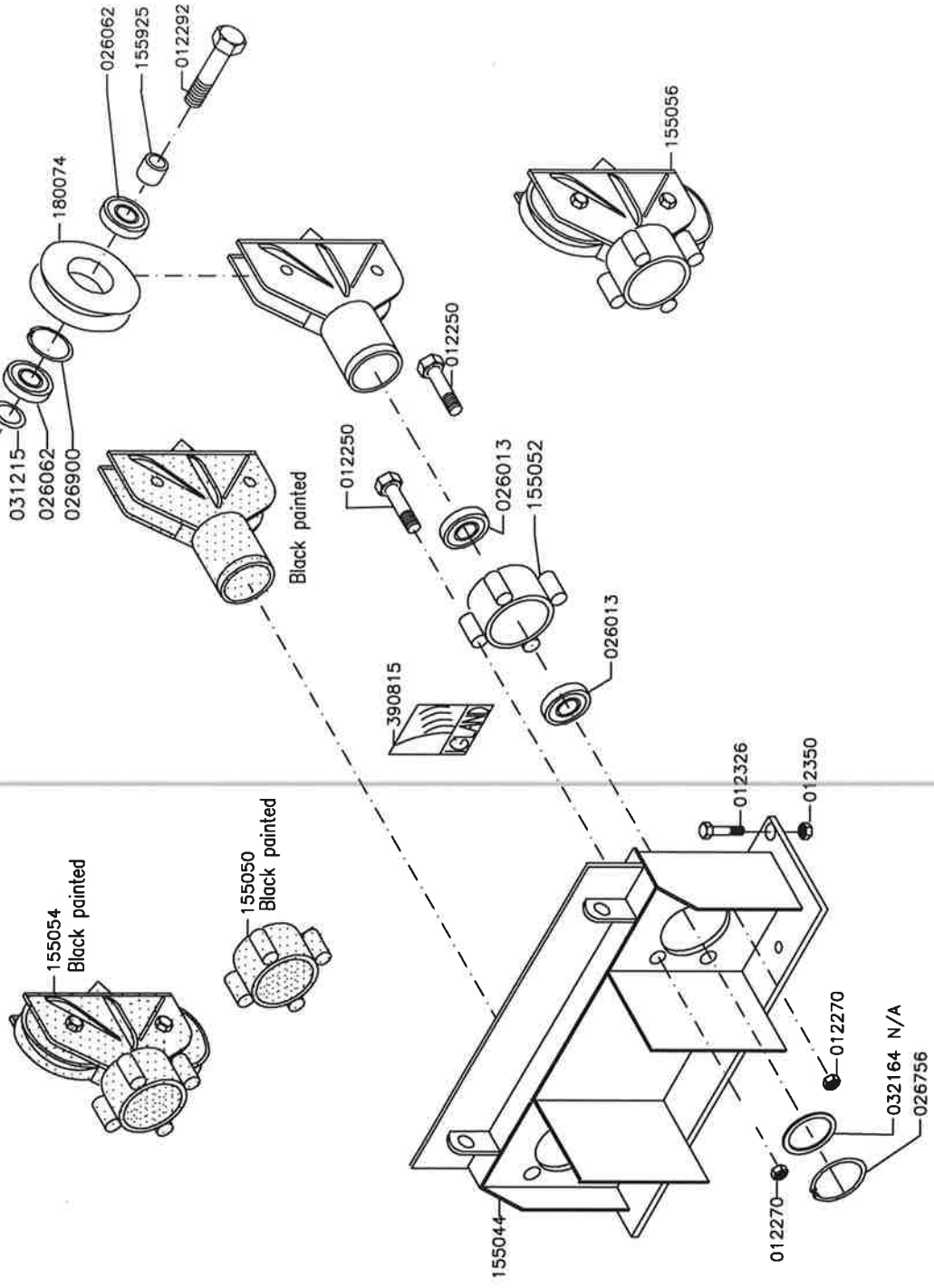
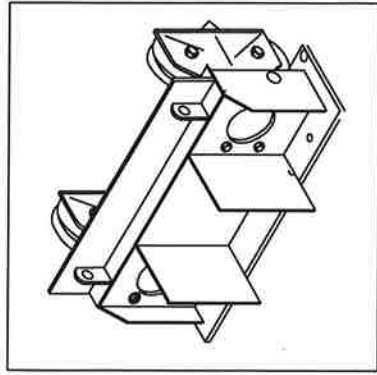
RESERVEDELSLISTE - SPARE PARTS LIST - ERSATZTEILLISTE

Pos	Art.No.	No	Beskrivelse	Description	Bezeichnung
-	075010	1	Topstag, spesial kpl.	Top Link compl.	
1	075012	1	Topstag, ramme	Top link frame	
2	075014	1	Traktorreste toppstag	Adjusting sleeve	
3	075018	1	Oppplagingsbolt	Hinge pin	
4	020826	1	Spennyhlyse	Collar sleeve	
5	075020	2	Oppplagingsbolt	Hinge pin	
6	017403	2	Smørenippel	Grease nipple	
7	012804	2	Skrue	Screw	
8	012231	2	Mutter	Nut	
9	012235	4	Skive	Washer	
10	723122	1	Strekffisk	Turnbuckle	
11	020099	2	Bolt kat 1	Bolt	
12	021004	2	Orepinne	Locking pin	



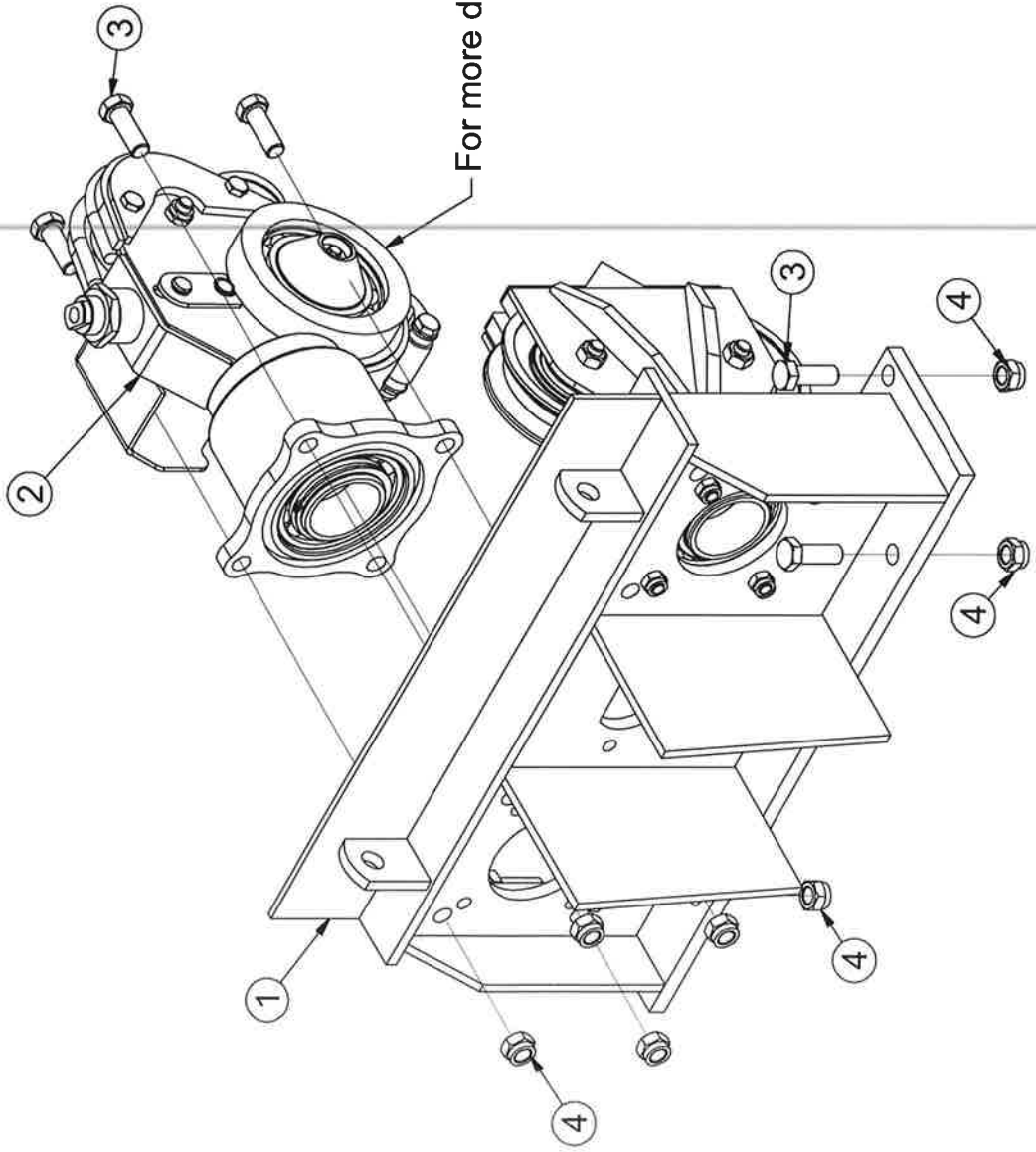
IGLAND 9002 Maxo TL, TLP

BUTTERFLY FAIRLEAD

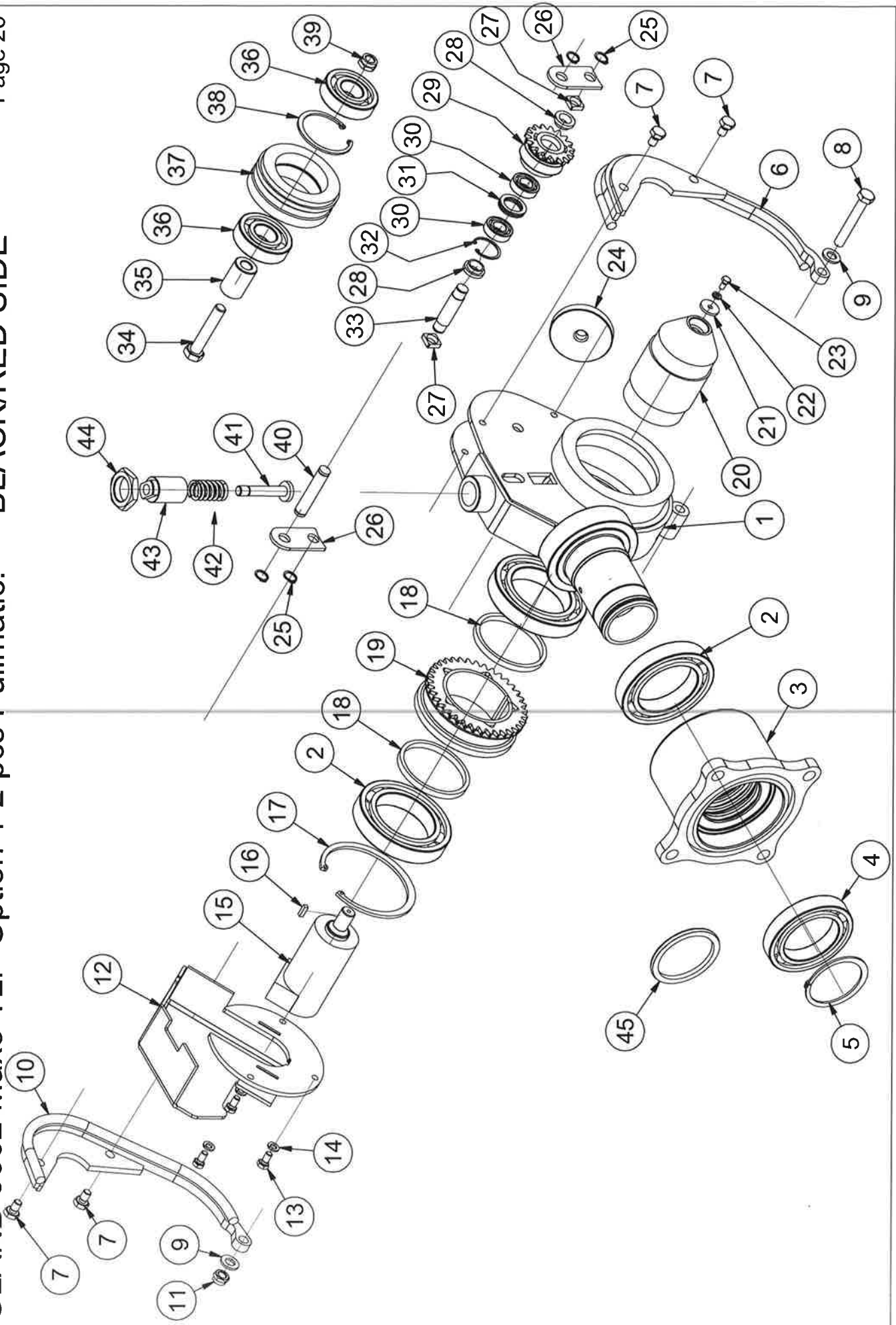


RESERVEDELSLISTE - SPARE PARTS LIST - ERSATZTEILLISTE

Pos	Art.No.	No	Beskrivelse	Description	Bezeichnung
1	075024	1	Propellerporholder	Propellers port	
2	165170	1	Pullmatic, sort, kpl.	Pull matic black compl.	
3	012926	8	Skrue	Screw	
4	012350	8	Mutter	Nut	



IGLAND 9002 Maxo TLP Option 1-2 pcs Pullmatic. BLACK/RED SIDE

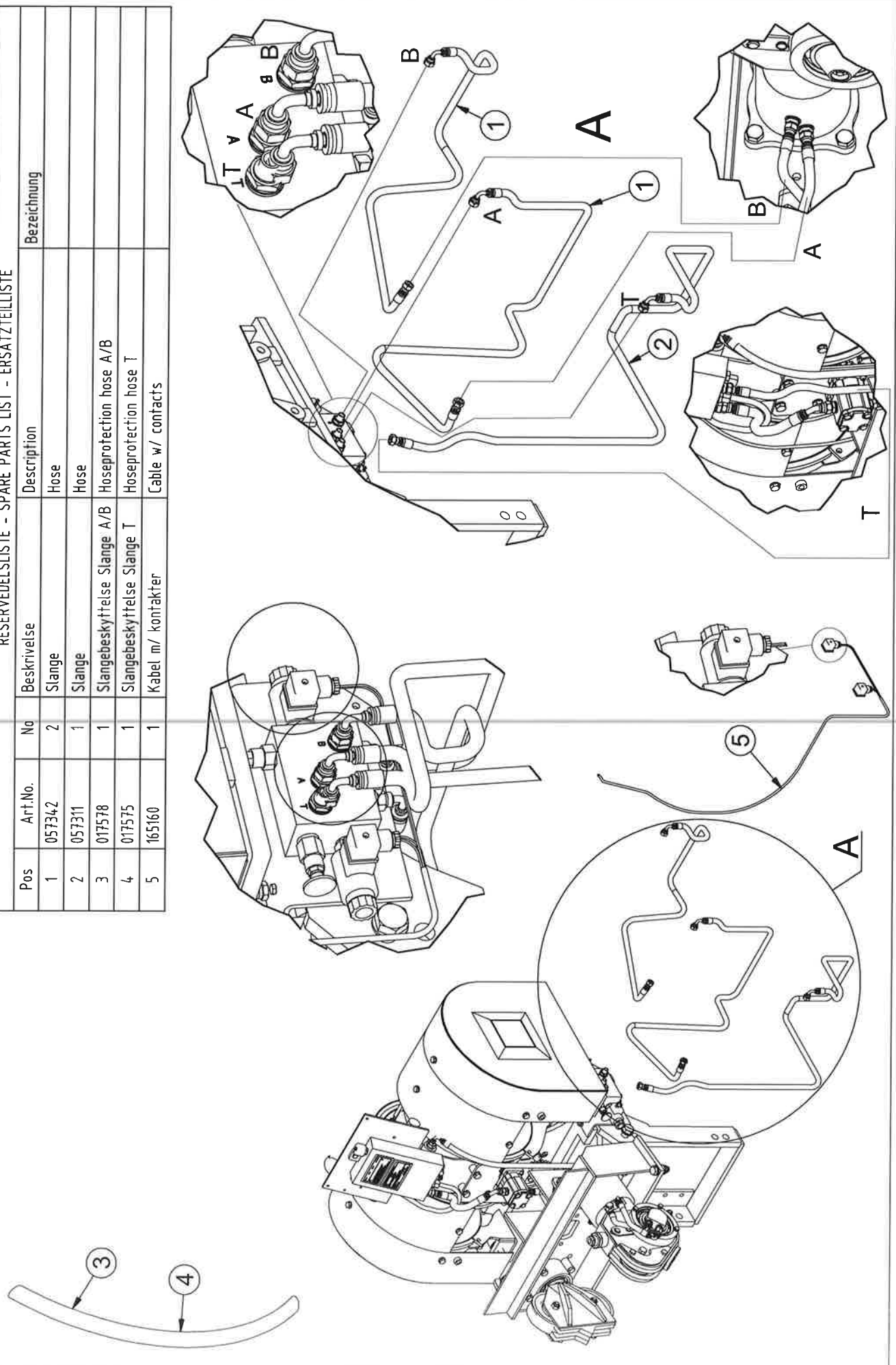


RESERVEDELSLISTE - SPARE PARTS LIST - ERSATZTEILLISTE			RESERVEDELSLISTE - SPARE PARTS LIST - ERSATZTEILLISTE		
Pos	Art.No.	Beskrivelse	Description	Bezeichnung	
1	165174	1 Blokkhus	Blockhouse		
2	026014	3 Lager	Bearing		
3	165176	1 Lagerholder	Bearinghouse		
4	026013	1 Lager	Bearing		
5	026756	1 Seegerring	Circlip		
6	165178	1 Sidedeksel sort 1 stk pullmatic	Sidecover black 1 stk pullmatic		
7	165179	1 Sidedeksel rød 2 stk pullmatic	Sidecover red 2 stk pullmatic		
8	012798	4 Skruer	Screw		
9	012253	1 Skrue	Screw		
10	012274	2 Skive	Washer		
11	165180	1 Sidedeksel rød 1 stk pullmatic	Sidecover black 1 stk pullmatic		
12	165181	1 Sidedeksel rød 2 stk pullmatic	Sidecover red 2 stk pullmatic		
13	012270	1 Mutter	Nut		
14	165182	1 Beskyttelsesdeksel sort 1 stk pullmatic	Protection cover black 1 pc. pullmatic		
15	165183	1 Beskyttelsesdeksel rød 2 stk pullmatic	Protection cover red 2 pc. pullmatic		
16	012758	3 Skrue	Screw		
17	012194	3 Skive	Washer		
18	164168	1 Oljemotor	Oilengine		
19	164169	1 Kile	Wedge		
20	026925	1 Seegerring	Circlip		
21	165154	1 Shims	Shims		
22	165124	1 Trinse med tankrans	Pully		
23	165122	1 Hylse	Sleeve		
24	165158	1 Skive, spesial	Washer		
25	012215	1 Skive	Washer		
26	012676	1 Skrue	Screw		
27	165156	1 Skive, wirestopper	Washer wirestop		
28	026709	4 Seegerring	Circlip		
29	165128	2 Sideplate	Side plate		
30	165130	2 Skive, firkant	Washer Square		

Pos	Art.No.	No	Beskrivelse	Description	Bezeichnung
28	165138	2	Avstandshylse	Distance sleeve	
29	165126	1	Pressrull	Press roll	
30	026005	2	Lager	Bearing	
31	031054	1	Shims	Shims	
32	026865	1	Seegerring	Circlip	
33	165136	1	Bolt	Bolt	
34	012292	1	Skrue	Screw	
35	155925	1	Hylse	Sleeve	
36	026062	2	Lager	Bearing	
37	165146	1	Trinse	Pulley	
38	026900	1	Seegerring	Circlip	
39	012311	1	Mutter	Nuts	
40	165134	1	Bolt	Bolt	
41	165144	1	Strammebolt	Tighten bolt	
42	027228	1	Fjær	Spring	
43	165142	1	Strammeskru	Tighten screw	
44	165140	1	Mutter, spesial	Nut special	
45	025090	1	Pakningssett, kpl.	Gasket sets	

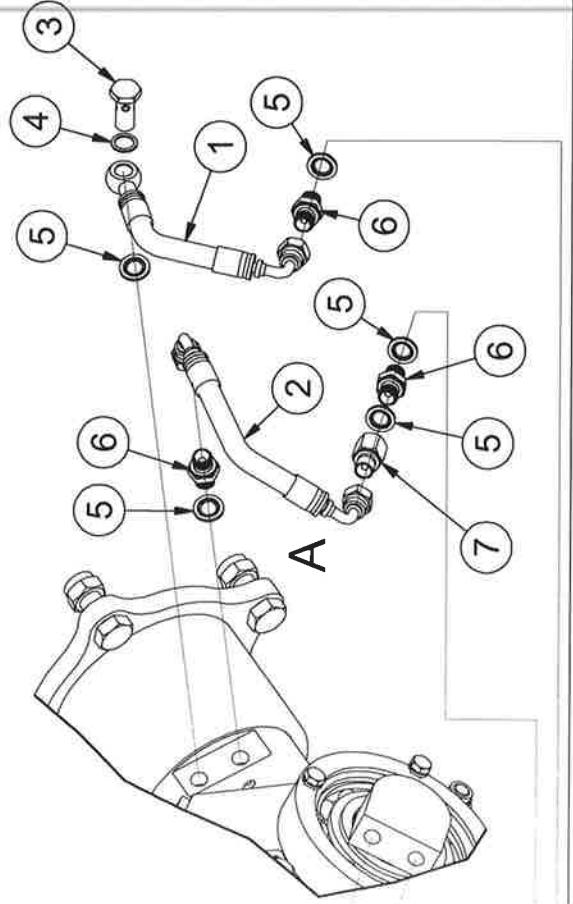
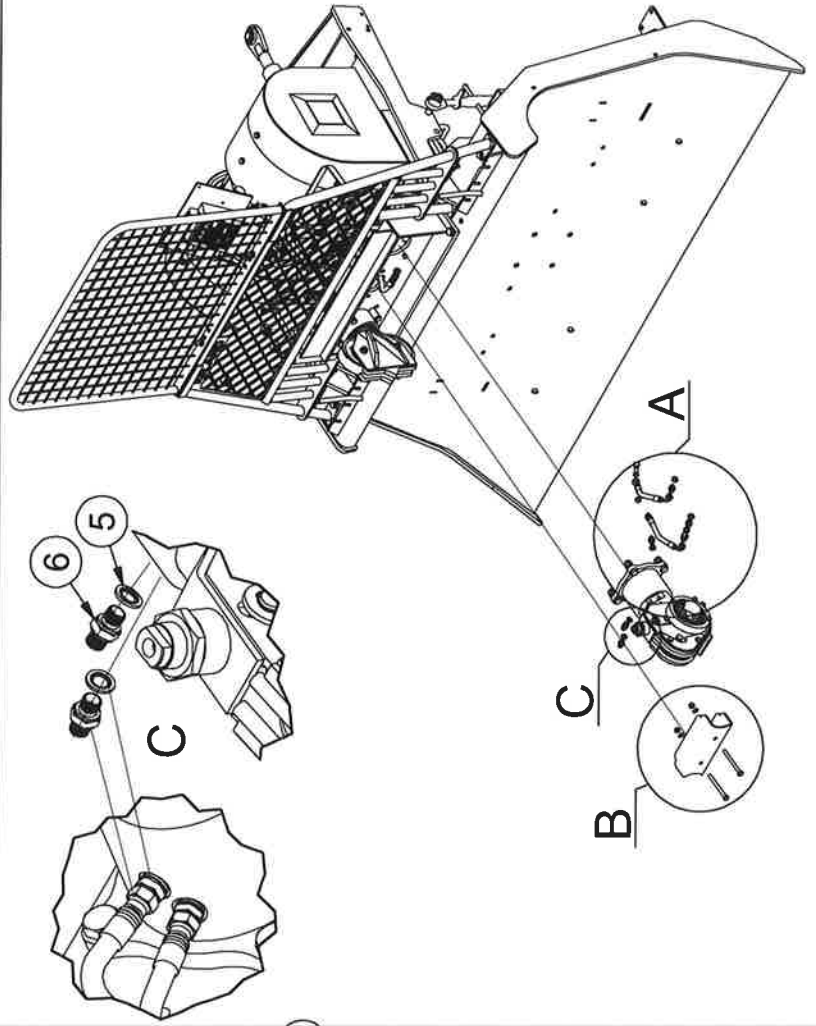
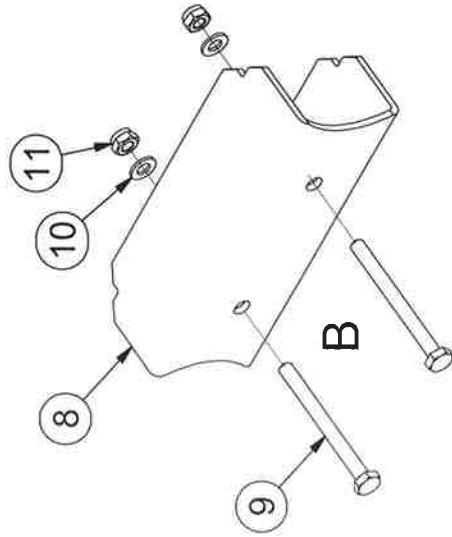
RESERVEDELSLISTE - SPARE PARTS LIST - ERSATZTEILLISTE

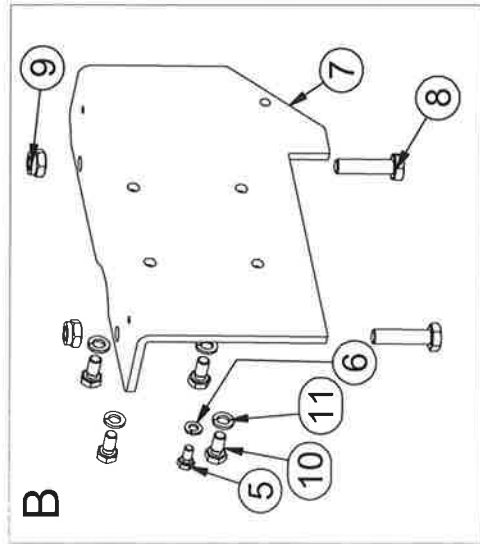
Pos	Art.No.	No	Beskrivelse	Description	Bezeichnung
1	057342	2	Slange	Hose	
2	057311	1	Slange	Hose	
3	017578	1	Slangebeskyttelse Slange A/B	Hoseprotection hose A/B	
4	017575	1	Slangebeskyttelse Slange T	Hoseprotection hose T	
5	165160	1	Kabel m/ kontakter	Cable w/ contacts	



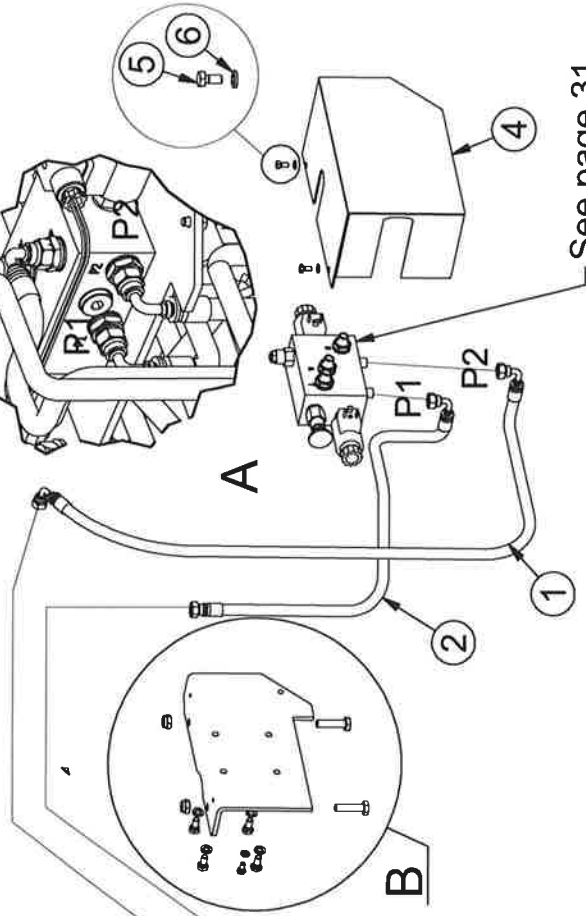
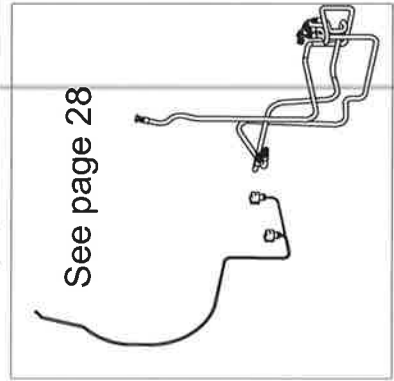
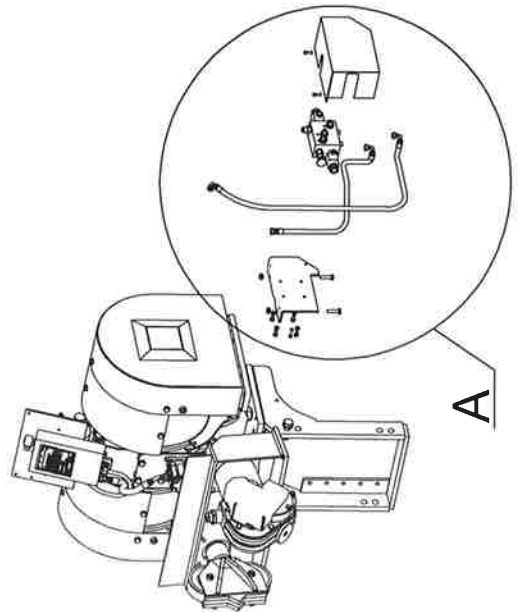
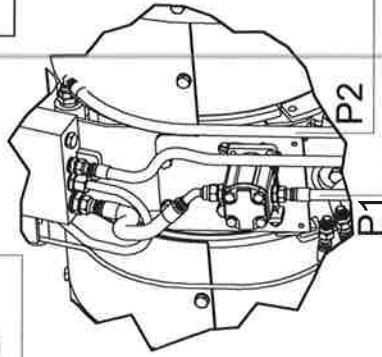
RESERVEDELSLISTE - SPARE PARTS LIST - ERSATZTEILLISTE

Pos	Art.No.	No	Beskrivelse	Description	Bezeichnung
1	057455	1	Slange	Hose	
2	057633	1	Slange	Hose	
3	055071	1	Banjobolt	Banjo bolt	
4	023557	1	Kobberskive	Copper washer	
5	047141	7	Skive m/gummipakning	Washer	
6	048001	5	Nippel, overgang	Nipple	
7	047200	1	Nippel, overgang	Nipple	
8	165185	1	Deksel	Cover	
9	012216	2	Skrue	Screw	
10	012235	2	Skive	Washer	
11	012231	2	Mutter	Nut	





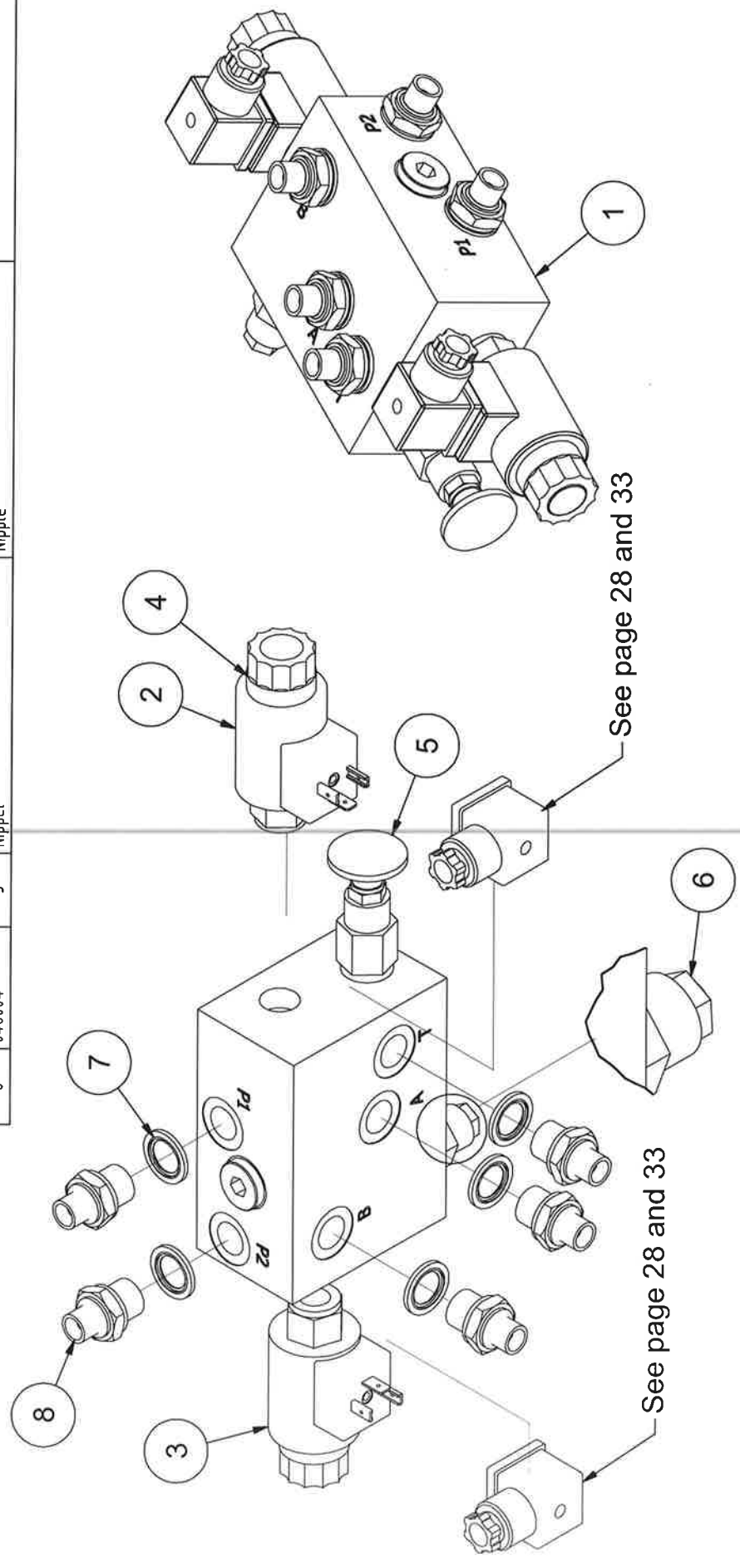
Pos	Art.No.	No	Beskrivelse	Description	Bezeichnung
1	057634	1	Slange	Hose	
2	057341	1	Slange	Hose	
3	017575	1	Slangebeskyttelse	Hoseprotection	
4	165114	1	Deksel	Cover	
5	012676	3	Skrue	Screw	
6	012115	4	Skive	Washer	
7	165112	1	Brakett	Brackets	
8	012205	2	Skrue	Screw	
9	012231	2	Mutter	Nut	
10	012758	4	Skrue	Screw	
11	012195	4	Skive	Washer	



See page 31

RESERVEDELSLISTE - SPARE PARTS LIST - ERSATZTELLISTE

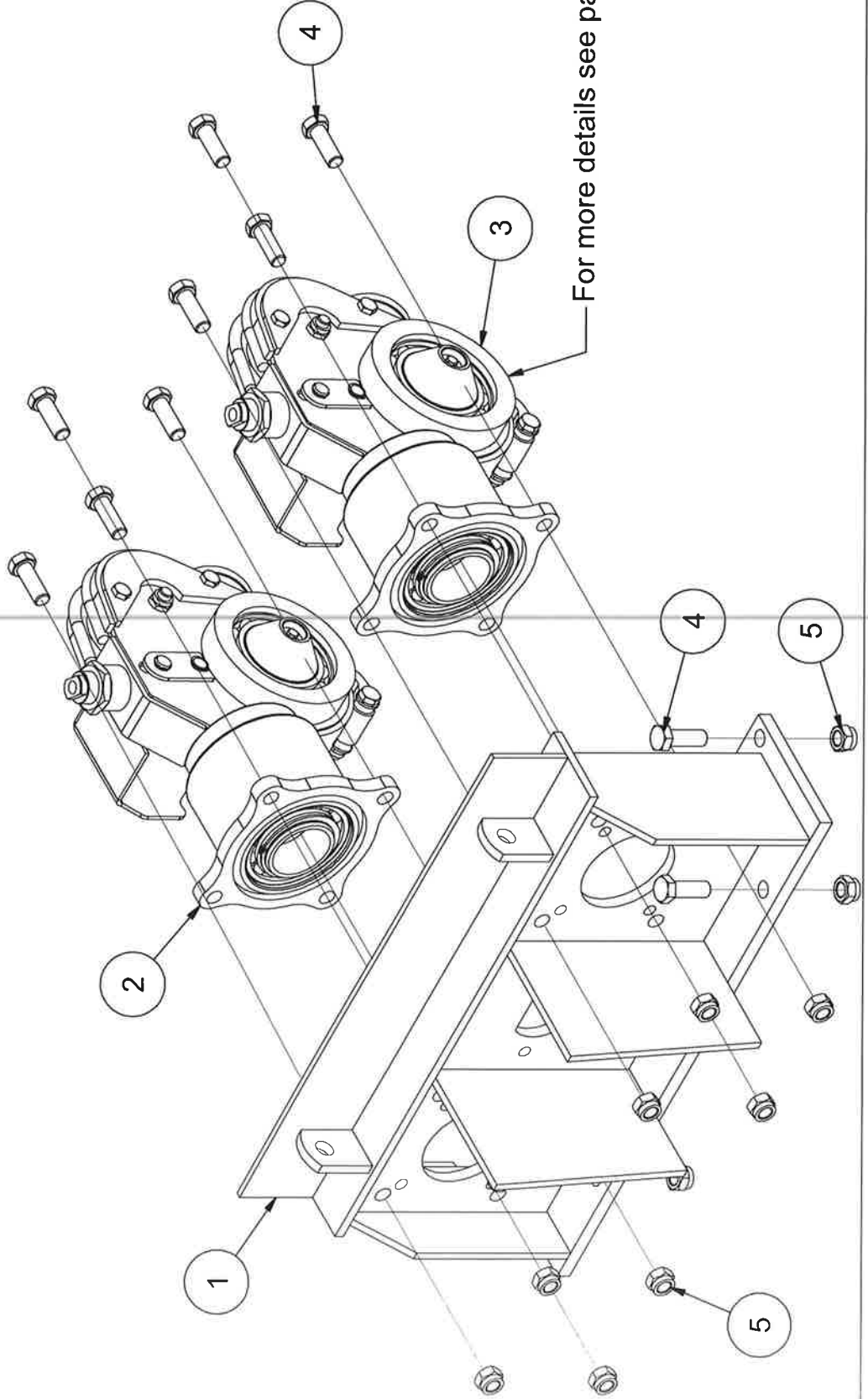
Pos	Art.No.	No	Beskrivelse	Description	Bezeichnung
1	164166	1	Ventilblokk, kpl.	Valveblock, compl.	
2	164172	1	Patron med spole, kpl.	Cartridge coil, compl.	
3	164173	1	Patron med spole, kpl.	Cartridge coil, compl.	
4	164171	1	Magnetspole	Solenoid	
5	164174	1	Trykkventil RDDA	Pressure valve	
6	164175	1	Trykkventil CCCA	Pressure valve	
7	047142	5	Skive med gummipakning	Washer	
8	048004	5	Nippel	Nipple	



IGLAND 9002 Maxo TLP Option 2 pcs Pullmatic. BLACK/RED SIDE

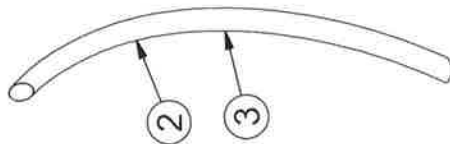
RESERVEDELSLISTE - SPARE PARTS LIST - ERSATZTEILLISTE

Pos	Art.No.	No	Beskrivelse	Description	Bezeichnung
1	075024	1	Propellerport holder	Propellers port	
2	165170	1	Pullmatic, sort, kpl.	Pullmatic, black, compl.	
3	165172	1	Pullmatic, rød, kpl.	Pullmatic, red, compl.	
4	012926	12	Skrue	Screw	
5	012350	12	Mutter	Nut	

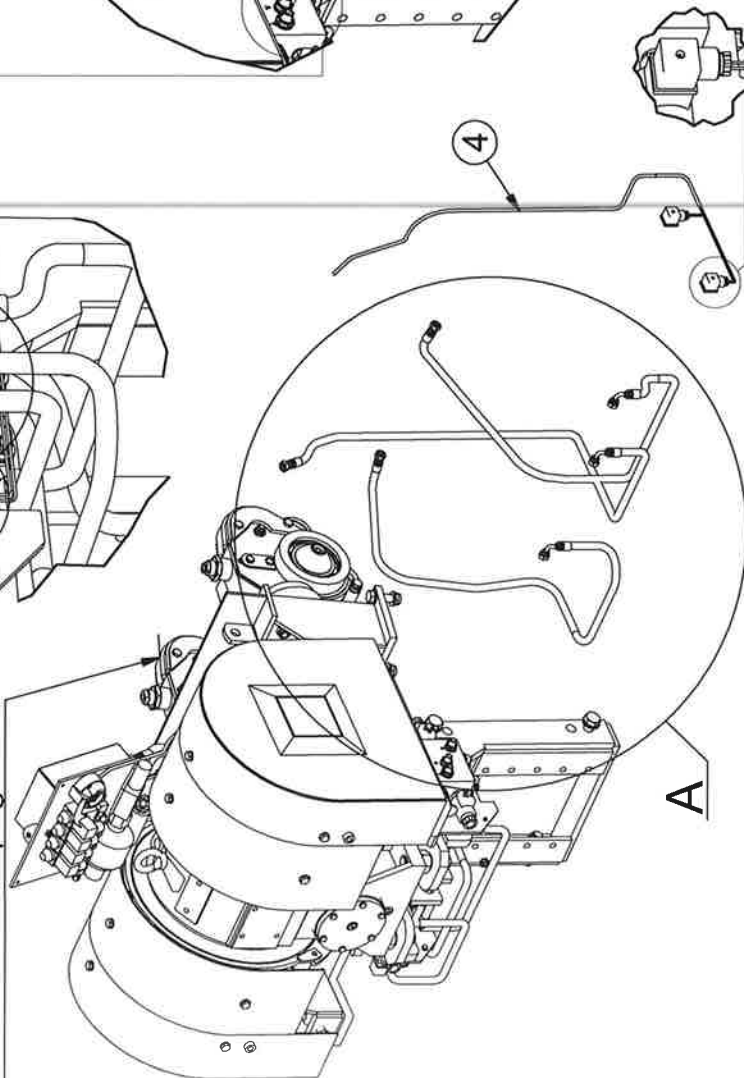
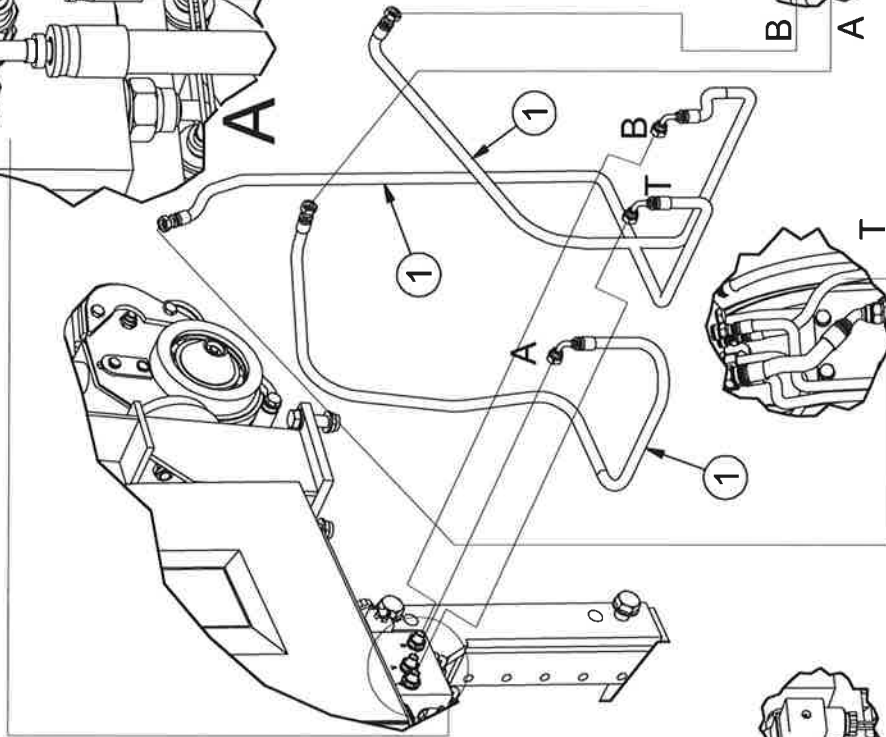
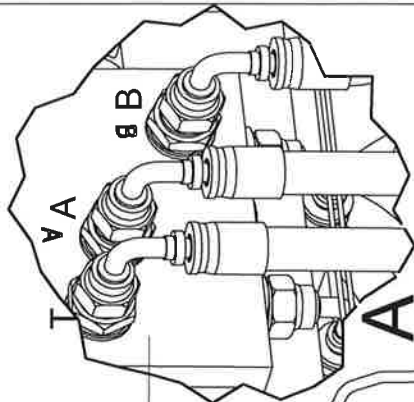
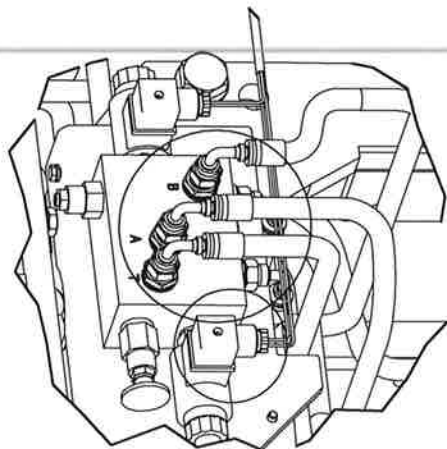


RESERVEDELSLISTE - SPARE PARTS LIST - ERSATZTEILLISTE

Pos	Art.No.	No	Beskrivelse	Description	Bezeichnung
1	057342	3	Slange	Hose	
2	017578	1	Slangebeskyttelse Slange A/B	Hoseprotektion hose A/B	
3	017575	1	Slangebeskyttelse Slange T	Hoseprotektion hose T	
4	165161	1	Kabel m/ kontakter	Cable w/contacts	

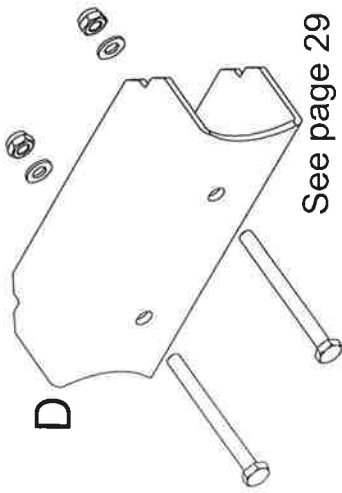


Black side see page 36

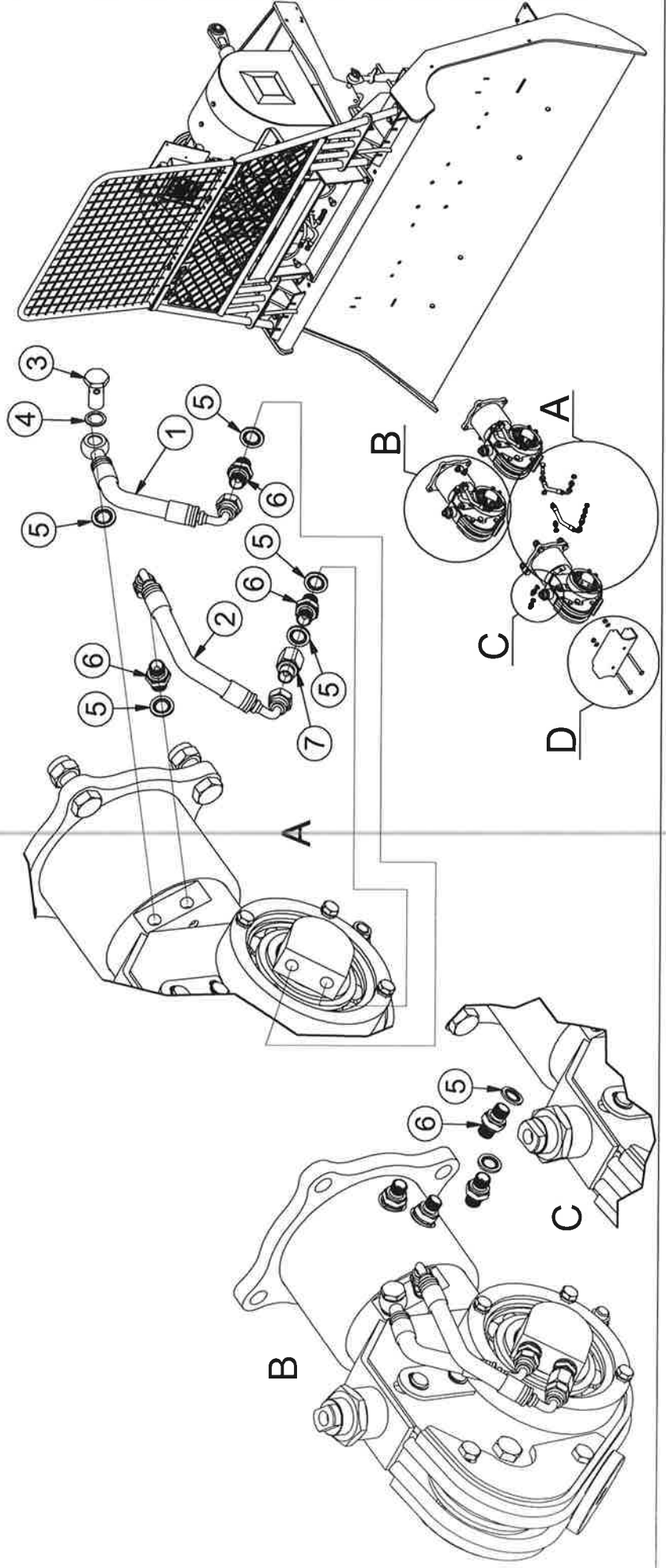


RESERVEDELSLISTE - SPARE PARTS LIST - ERSATZTEILLISTE

Pos	Art.No.	No	Beskrivelse	Description	Bezeichnung
1	057455	2	Slange	Hose	
2	057633	2	Slange	Hose	
3	055071	2	Banjobolt	Banjo bolt	
4	023557	12	Kobberskive	Copper washer	
5	04.714.1	14	Skive m/gummipakning	Washer	
6	04-8001	10	Nippel, overgang	Nipple	
7	04.7200	2	Nippel, overgang	Nipple	

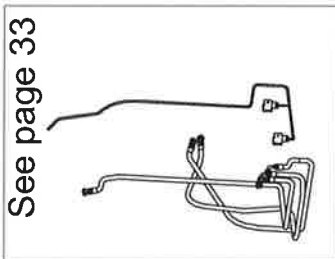
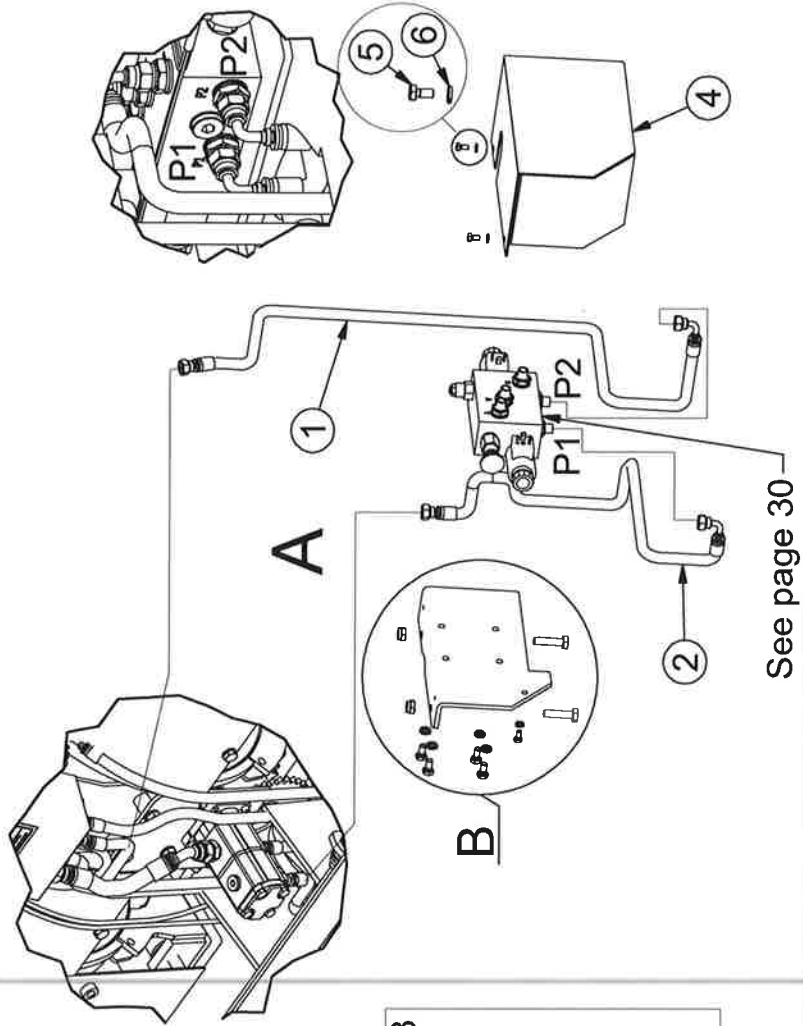
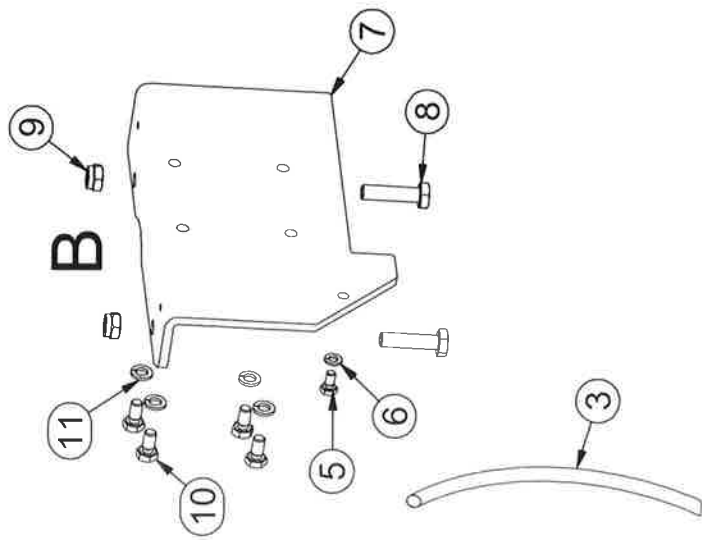


See page 29

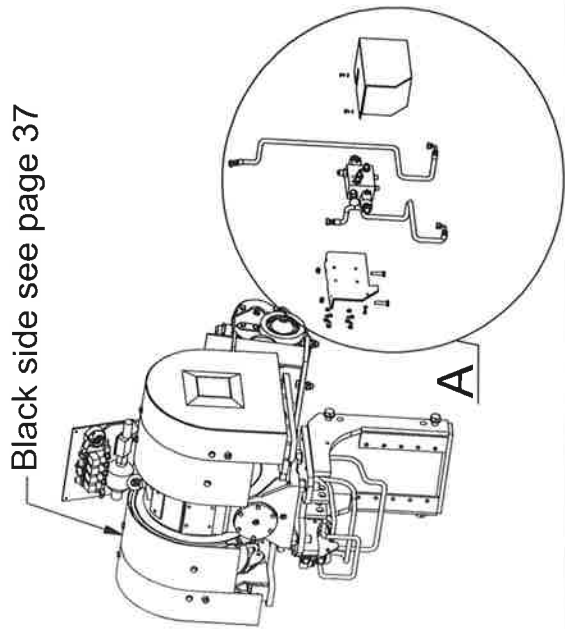


RESERVEDELSLISTE - SPARE PARTS LIST - ERSATZTEILLISTE

Pos	Art.No.	No	Beskrivelse	Description	Bezeichnung
1	057342	1	Slange	Hose	
2	057341	1	Slange	Hose	
3	017575	1	Slangebeskyttelse	Hoseprotektion	
4	165115	1	Deksel	Cover	
5	012676	3	Skruer	Screw	
6	012115	3	Skiver	Washer	
7	165113	1	Brakett	Brackets	
8	012205	2	Skruer	Screw	
9	012231	2	Muffer	Nut	
10	012758	4	Skruer	Screw	
11	012195	4	Skiver	Washer	

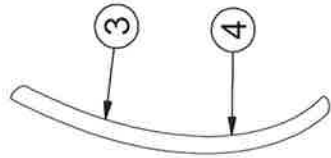


Black side see page 37

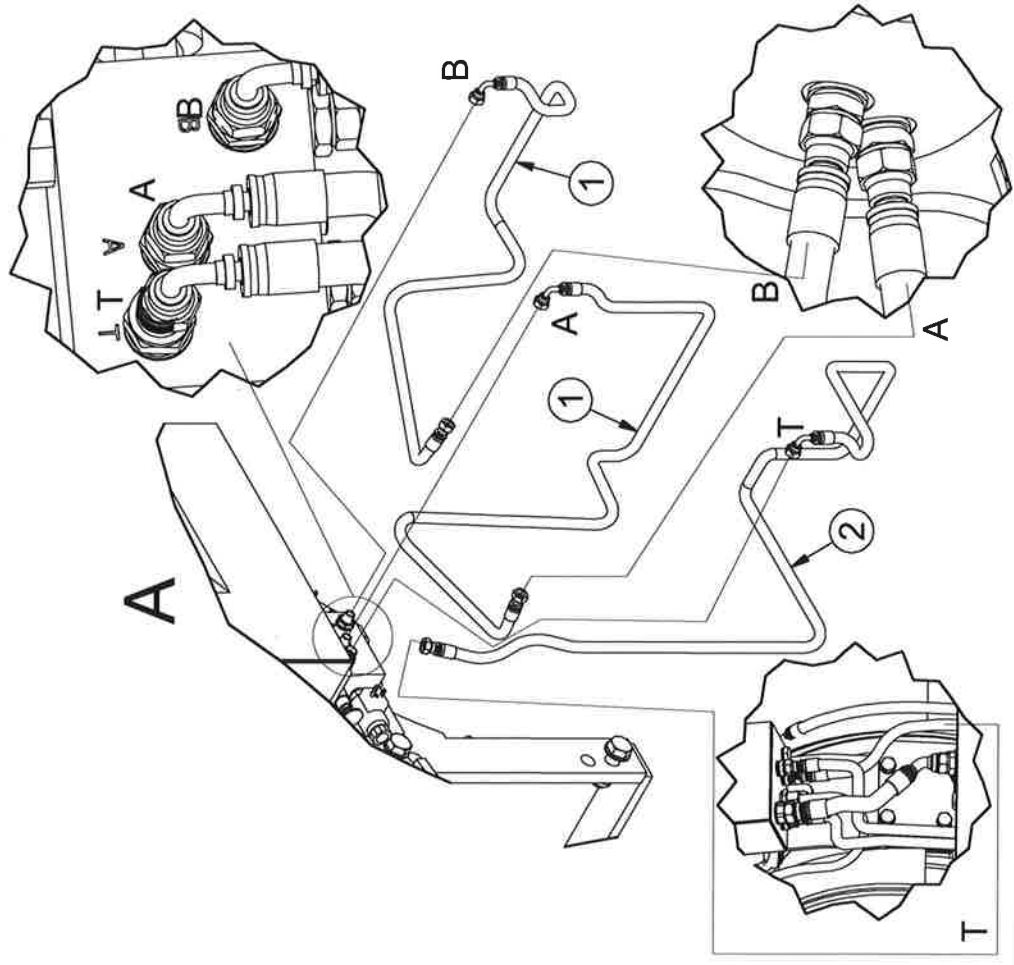
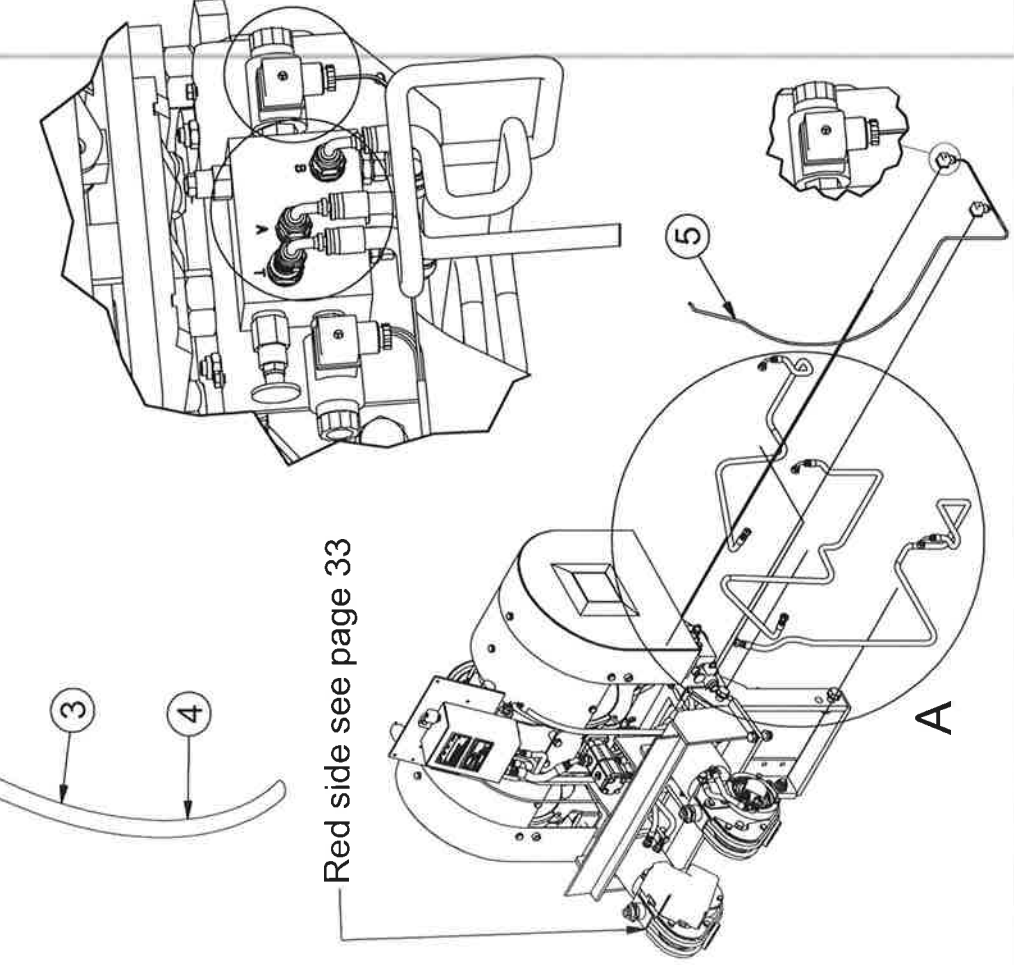


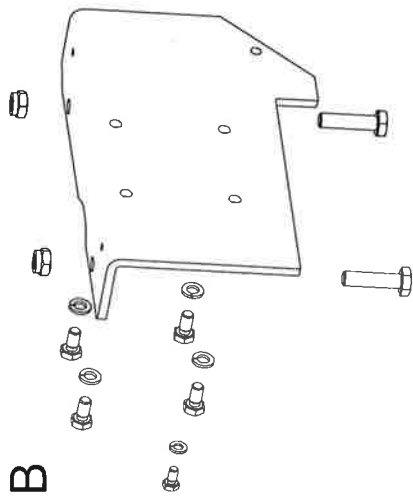
RESERVEDELSLISTE - SPARE PARTS LIST - ERSATZTEILLISTE

Pos	Art.No.	No	Beskrivelse	Description	Bezeichnung
1	057342	2	Slange	Hose	
2	057311	1	Slange	Hose	
3	017578	1	Slangebeskytter Slange A/B	Hoseprotection hose A/B	
4	017575	1	Slangebeskytter Slange T	Hoseprotection hose T	
5	165160	1	Kabel m/kontakter	Cable w/contacts	



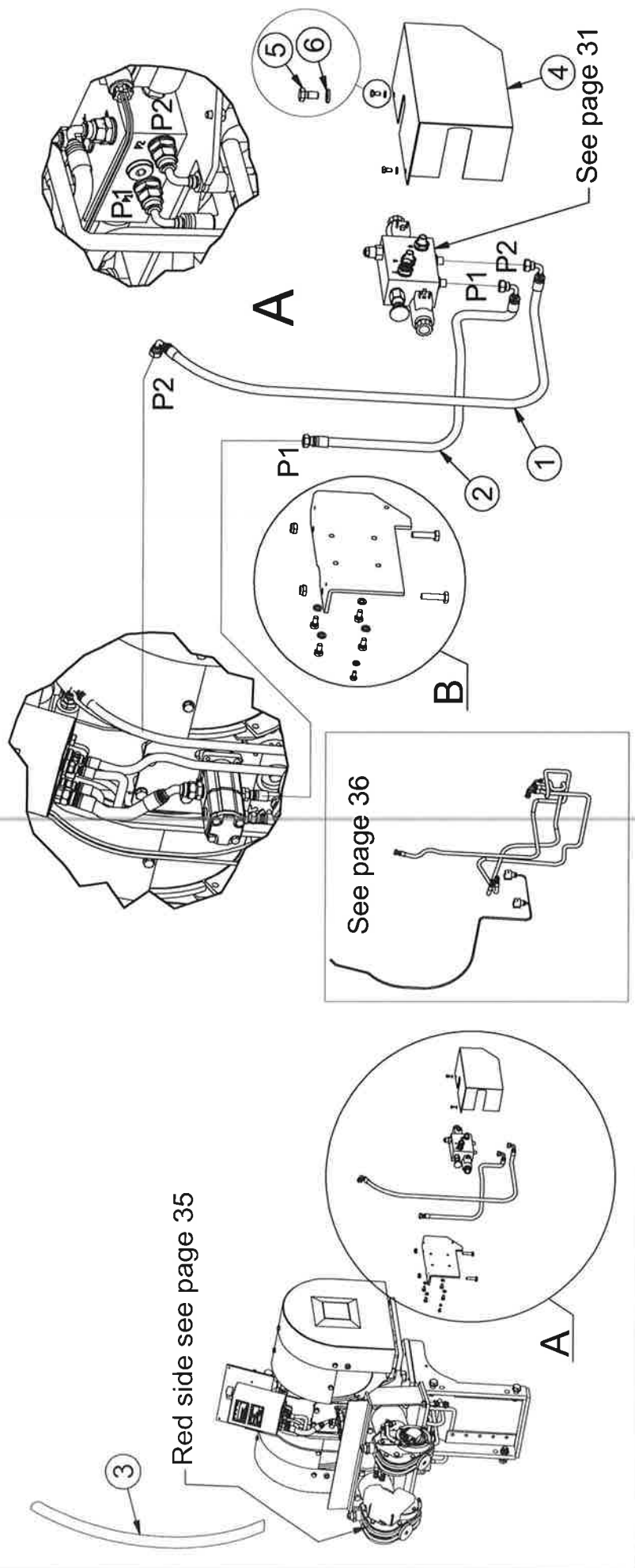
Red side see page 33





See page 30

RESERVEDELSLISTE - SPARE PARTS LIST - ERSATZTEILLISTE					
Pos	Art.No.	No	Beskrivelse	Description	Bezeichnung
1	057634	1	Slange	Hose	
2	057341	1	Slange	Hose	
3	017575	1	Slangebeskyttelse	Hoseprotection	
4	165114	1	Deksel	Cover	
5	012676	1	Skrue	Screw	
6	012115	1	Skive	Washer	

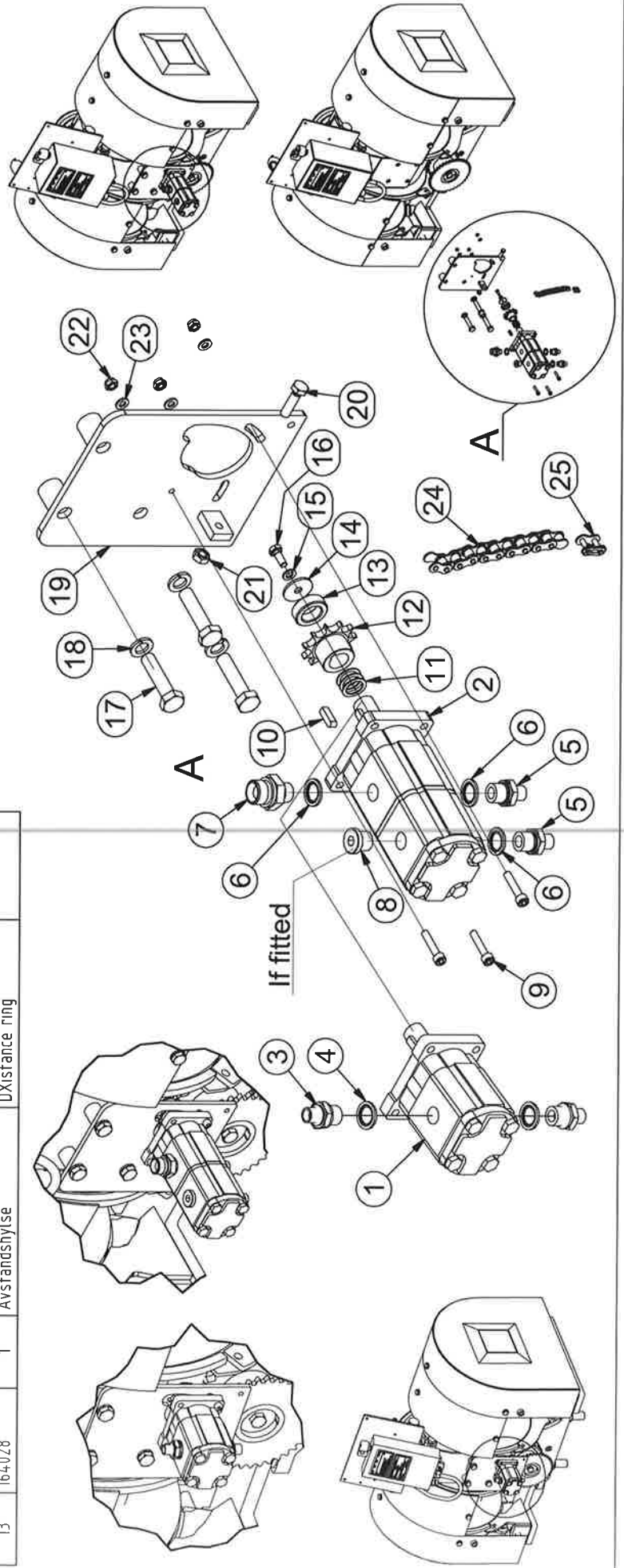


RESERVEDELSLISTE - SPARE PARTS LIST - ERSATZTEILLISTE

Pos	Art.No.	No	Beskrivelse	Description	Bezeichnung
1	083031	1	Oljepumpe 1stk pullmatic	Oil pump 1 pc pullmatic	
2	083032	1	Oljepumpe 2 stk pullmatic	Oil pump 2 pc pullmatic	
3	048004	2	Nippel	Nipple	
4	047142	2	Skive	Washer	
5	048004	2	Nippel	Nipple	
6	047142	3	Skive	Washer	
7	048010	1	Nippel	Nipple	
8	049727	1	Plugg	Plug	
9	015838	3	Skrue	Screw	
10	083003	1	Kile	Wedge	
11	030684	2	Shims	Shims	
12	062322	1	Kjederhjul 1/2" 11 tenner	Chainwheel 1/2" 11 t	
13	164028	1	Avstandshylse	DXistance ring	

RESERVEDELSLISTE - SPARE PARTS LIST - ERSATZTEILLISTE

Pos	Art.No.	No	Beskrivelse	Description	Bezeichnung
14	012113	1	Skive	Washer	
15	012115	1	Skive, spreng	Washer	
16	012678	1	Skrue	Screw	
17	012247	4	Skrue	Screw	
18	012275	4	Skive	Washer	
19	165044	1	Pumpebrakett	Pump bracket	
20	012763	1	Skrue	Screw	
21	012197	1	Mutter	Nut	
22	012118	3	Mutter	Nut	
23	012114	4	Skive	Washer	
24	208119	1	Kjede	Chain	
25	208100	1	Kjedelås	Chain lock	

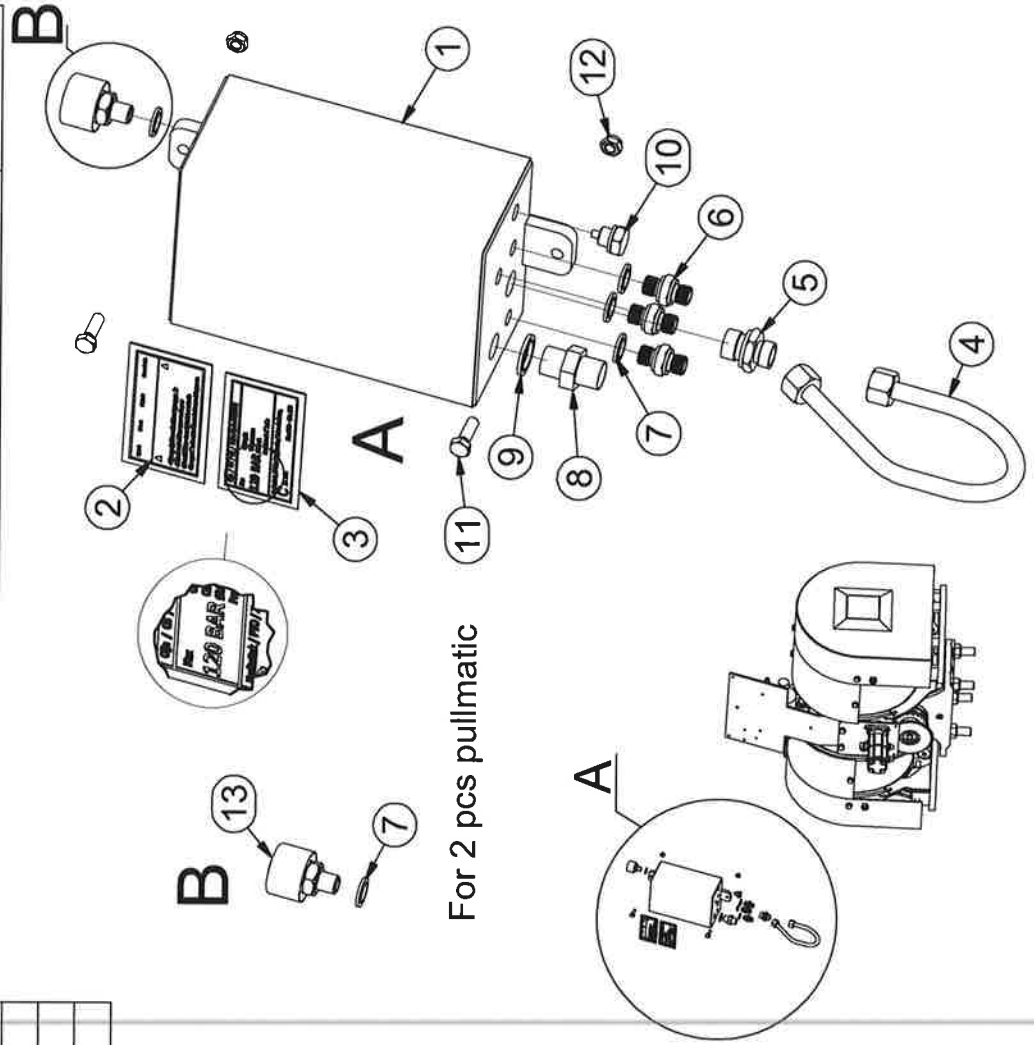
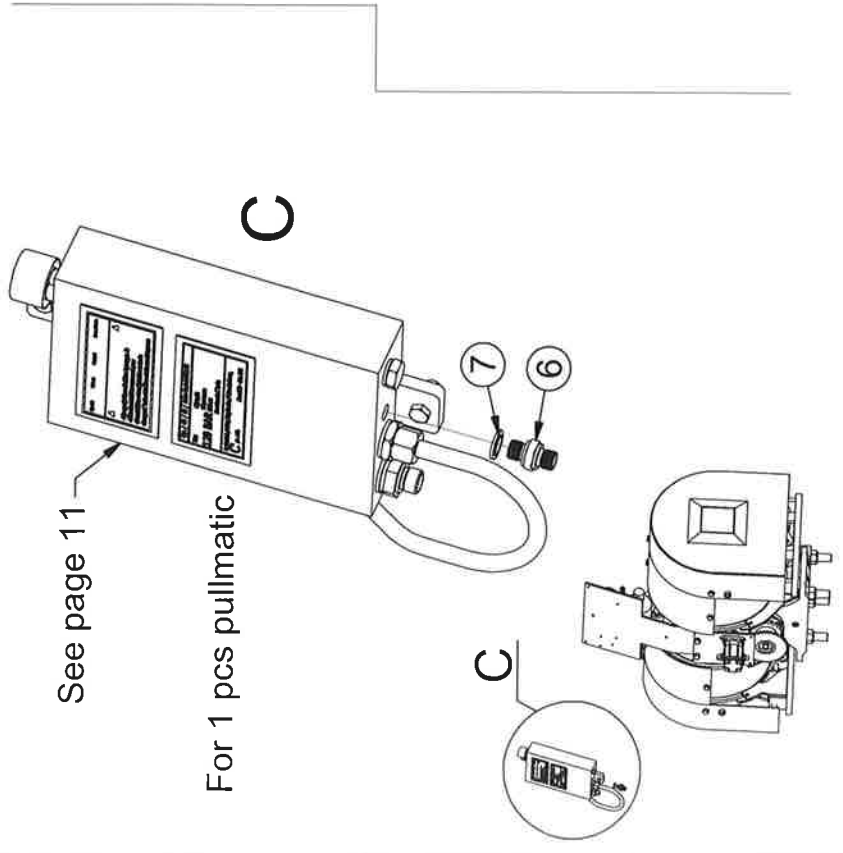


RESERVEDELSLISTE - SPARE PARTS LIST - ERSATZTEILLISTE

Pos	Art.No.	No	Beskrivelse	Description	Bezeichnung
1	165187	1	Oljetank	Oil tank	
2	391929	1	Klebmerke	Sticker	
3	391914	1	Klebmerke	Sticker	
4	165043	1	Rør	Tube	
5	034135	1	Snittringskobling	Cutringcoupler	
6	048001	1/3	Nippel 1 stk pullm./2 stk pullm.	Nipple	
7	047141	1/4	Skive 1 stk pullm./2 stk pullm.	Washer	
8	048014	1	Nippel	Nipple	

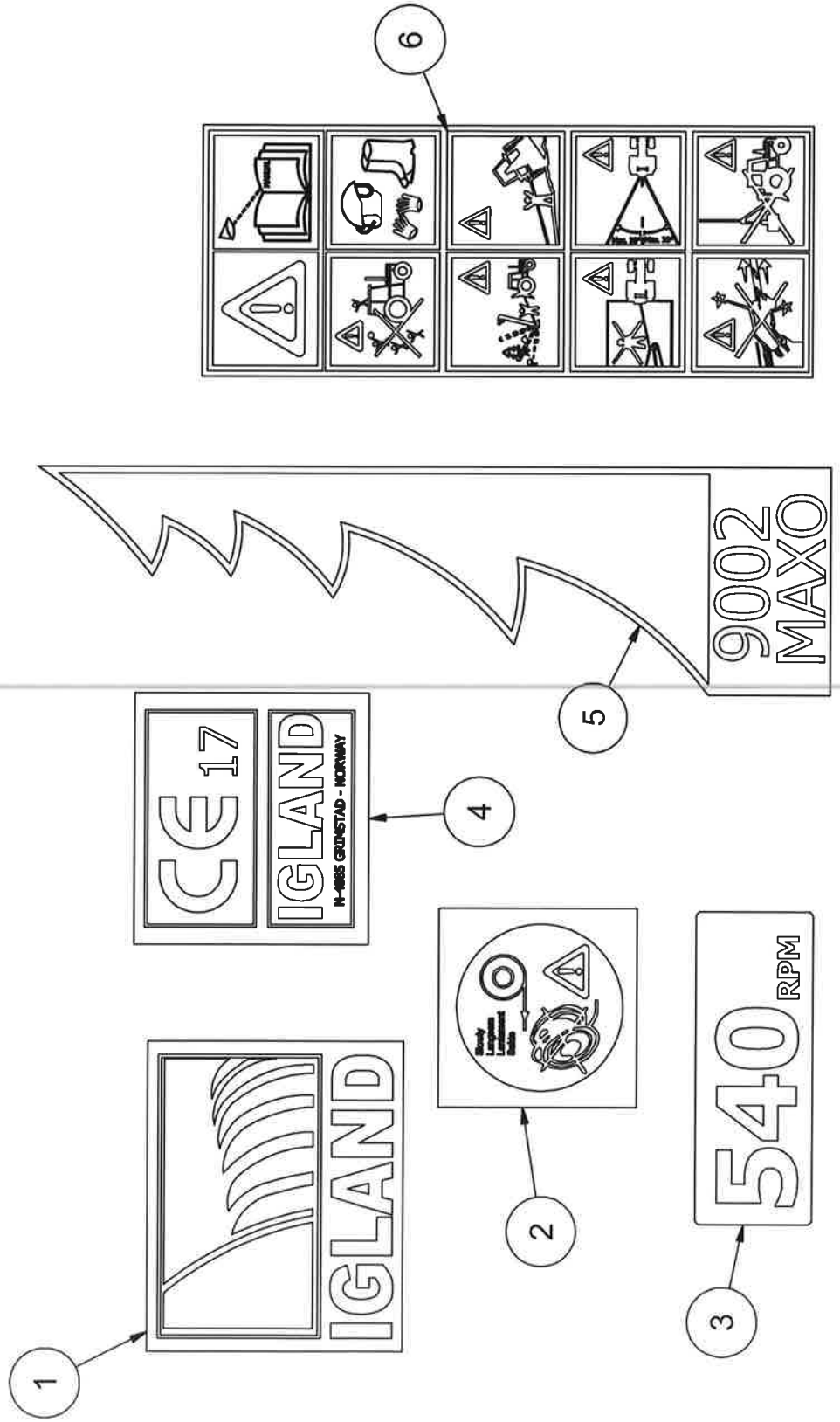
RESERVEDELSLISTE - SPARE PARTS LIST - ERSATZTEILLISTE

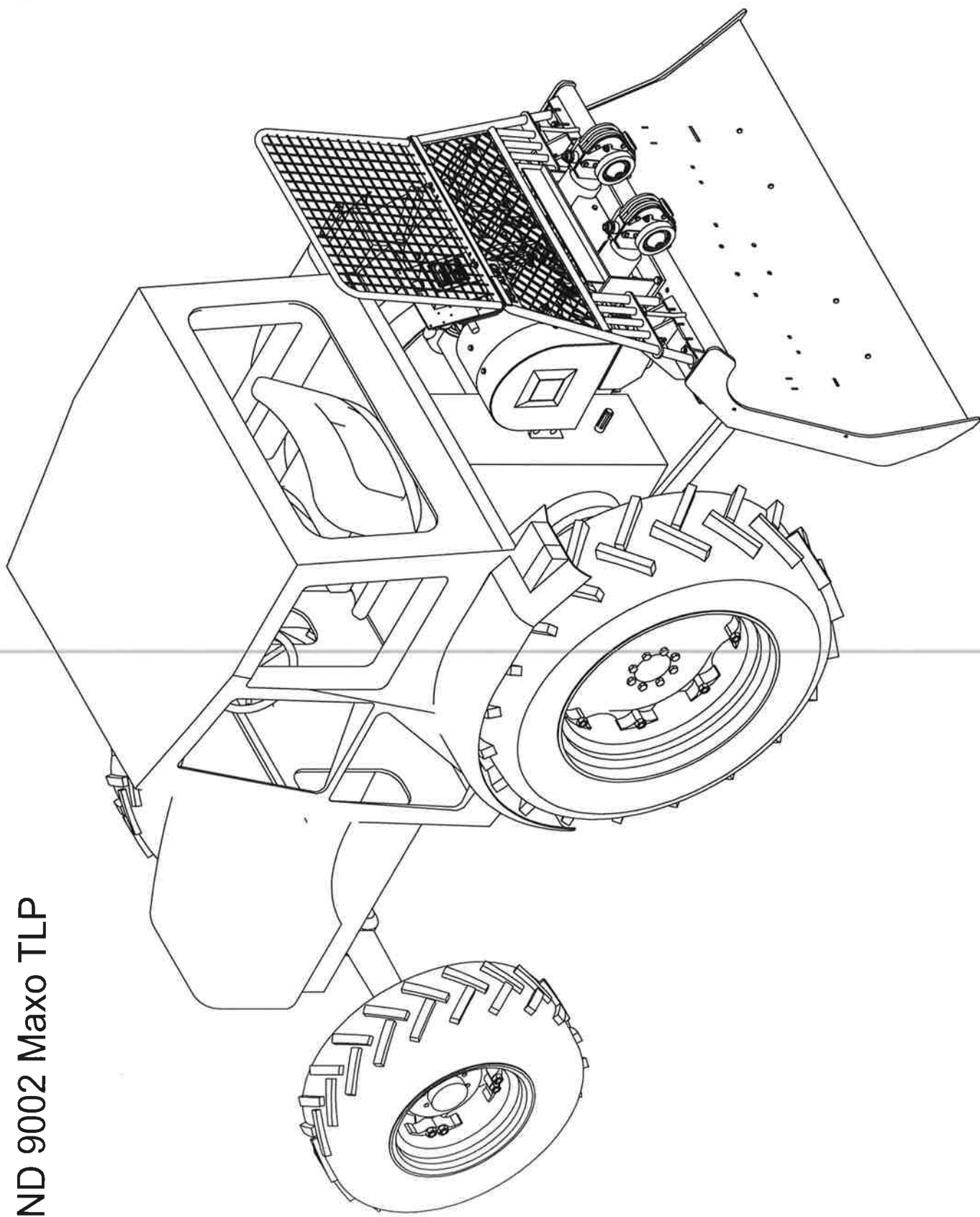
Pos	Art.No.	No	Beskrivelse	Description	Bezeichnung
9	047143	1	Skive	Washer	
10	049910	1	Plugg magnet	Plug magnet	
11	012762	2	Skrue	Screw	
12	012198	2	Mutter	Nut	
13	090085	1	Filter	Filter	



RESERVEDELSLISTE - SPARE PARTS LIST - ERSATZTEILLISTE

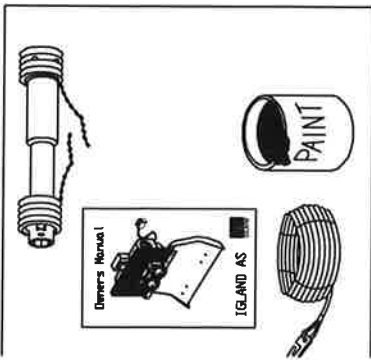
Pos	Art.No.	No	Beskrivelse	Description	Bezeichnung
1	390815	1	Klebmerke, IGLAND logo	Sticker, IGLAND logo	
2	391918	1	Klebmerke, sakte	Sticker, slowly	
3	391900	1	Klebmerke, 540 RPM	Sticker, 540 RPM	
4	392006	1	Klebmerke, CE (N/A)	Sticker, CE (N/A)	
5	391212	1	Klebmerke, 9002 Maxo	Sticker, 6002 Pronto TLP	
6	391931	1	Klebmerke, faremomenter	Sticker, hazards	



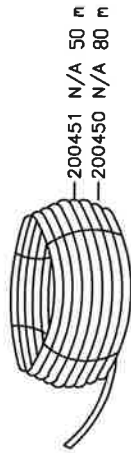


IGLAND 9002 Maxo TL, TLP IGLAND 9002 Maxo Top

Miscellaneous



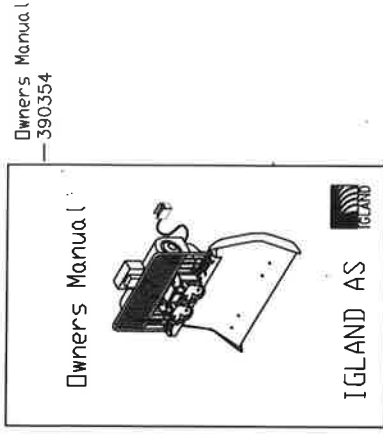
WIRE ROPE, 6x26WS+IWRC 180 kp, 14 mm



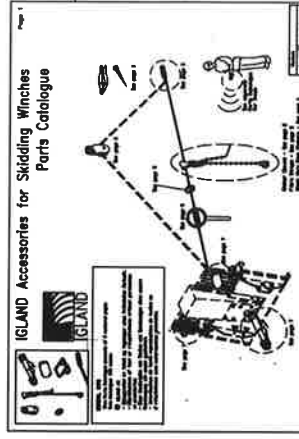
WIRE ROPE, according to ISO 4254-4



- 023012 Red 400ml
- 023013 Black polished 400ml
- 023014 Black matte 400ml



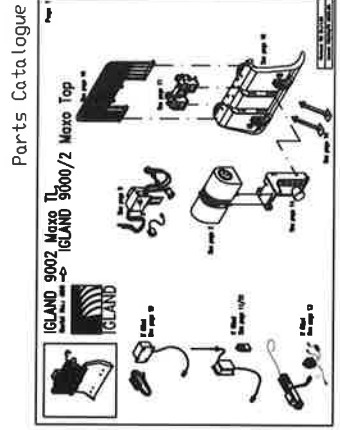
Parts Catalogue
Accessories for Skidding Winches



390601



PTO Shaft
—209140
V2400



390356